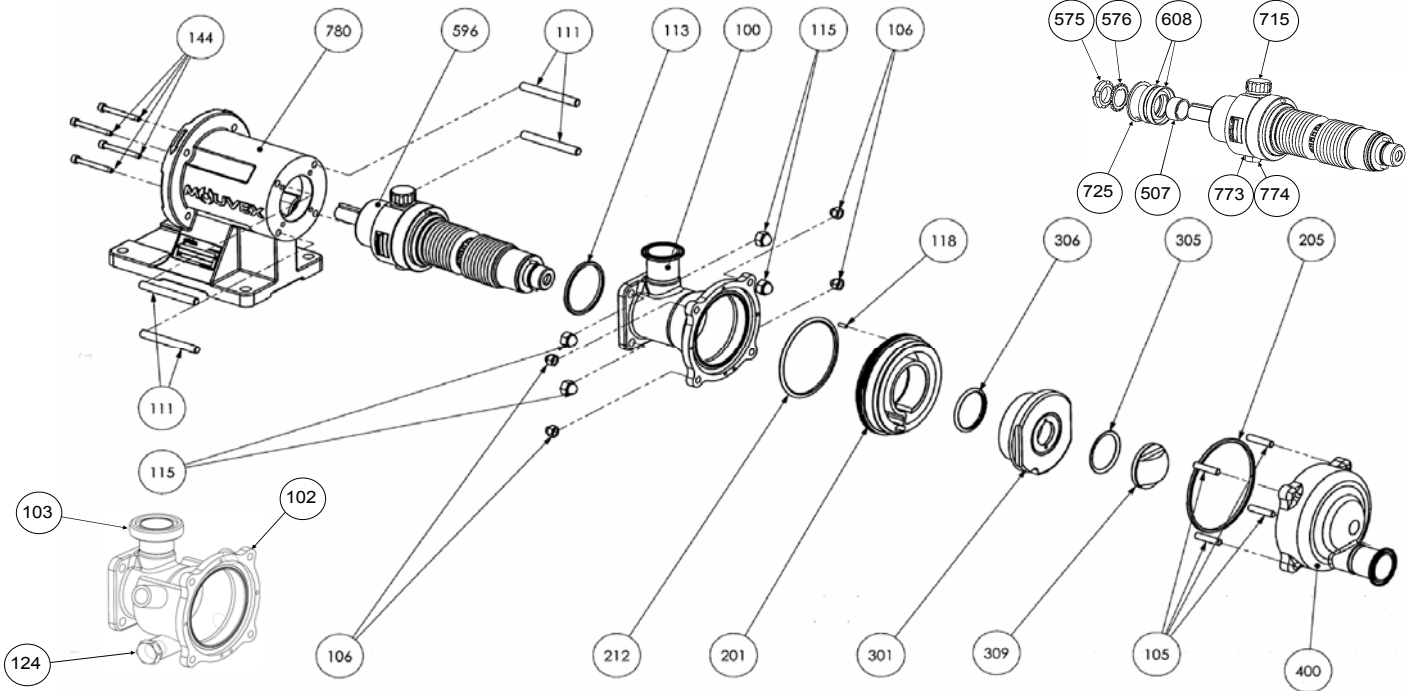


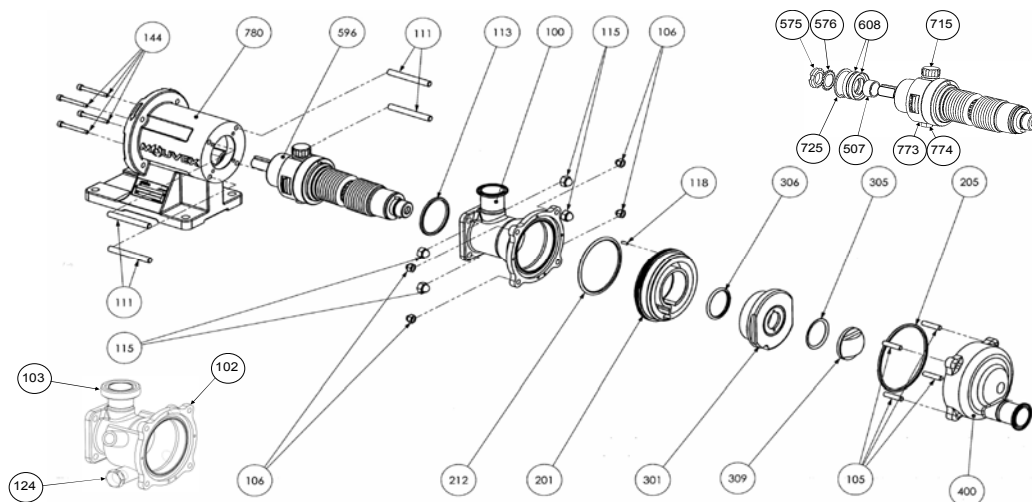
(See Instructions 1004-A00 for Installation, Operation and Maintenance)



Section Effective Replaces 1004 Avril 2009 New

Reference			Description	Quantity		ARTICLE CODE			Wear parts
Ass.	Part	Available		Order	In Pump	SLC 1	SLC 2	SLC 3	
100		◆	Inlet Manifold PN16 DN40	1			314856.00		
100		◆	Inlet Manifold PN20 DN40	1			314854.00		
100		◆	Inlet Manifold SMS 38	1			314858.00		
100		◆	Inlet Manifold DIN 40	1			314848.00		
100		◆	Inlet Manifold CHERRY BUREL 38	1			314843.00		
100		◆	Inlet Manifold CLAMP ISO 38	1			314852.00		
100		◆	Inlet Manifold IDF 38	1			314850.00		
100		◆	Inlet Manifold Smooth Pipes	1			314846.00		
100		◆	Inlet Manifold ASEPTIK DIN 11864-BF-A DN40	1			314864.00		
100		◆	Inlet Manifold CS F DN40 VR	1			314860.00		
100		◆	Inlet Manifold BS4825-5 DN40	1			314852.00		
100		◆	Polished inlet Manifold PN16 DN40	1			314857.00		
100		◆	Polished inlet Manifold PN20 DN40	1			314855.00		
100		◆	Polished inlet Manifold SMS 38	1			314859.00		
100		◆	Polished inlet Manifold DIN 40	1			314849.00		
100		◆	Polished inlet Manifold CHERRY BUREL 38	1			314844.00		
100		◆	Polished inlet Manifold CLAMP ISO 38	1			314853.00		
100		◆	Polished inlet Manifold IDF 38	1			314851.00		
100		◆	Polished inlet Manifold Smooth Pipes	1			314847.00		
100		◆	Polished inlet Manifold ASEPTIK DIN 11864-BF-A DN40	1			314865.00		
100		◆	Polished inlet Manifold CS F DN40 VR	1			314861.00		
100		◆	Polished inlet Manifold BS4825-5 DN40	1			314863.00		
100		◆	Jacketed Inlet Manifold PN16 DN40	1			314922.00		
100		◆	Jacketed Inlet Manifold PN20 DN40	1			314921.00		
100		◆	Jacketed Inlet Manifold SMS 38	1			314923.00		
100		◆	Jacketed Inlet Manifold DIN 40	1			314918.00		
100		◆	Jacketed Inlet Manifold CHERRY BUREL 38	1			314916.00		
100		◆	Jacketed Inlet Manifold CLAMP ISO 38	1			314920.00		
100		◆	Jacketed Inlet Manifold IDF 38	1			314919.00		
100		◆	Jacketed Inlet Manifold Smooth Pipes	1			314917.00		
100		◆	Jacketed Inlet Manifold ASEPTIK DIN 11864-BF-A DN40	1			314926.00		
100		◆	Jacketed Inlet Manifold CS F DN40 VR	1			314924.00		
100		◆	Jacketed Inlet Manifold BS4825-5 DN40	1			314925.00		
	102		Inlet tube		(1)				
	103		Connection		(1)				
	124		Plug (with Jacketed Inlet)		(2)				

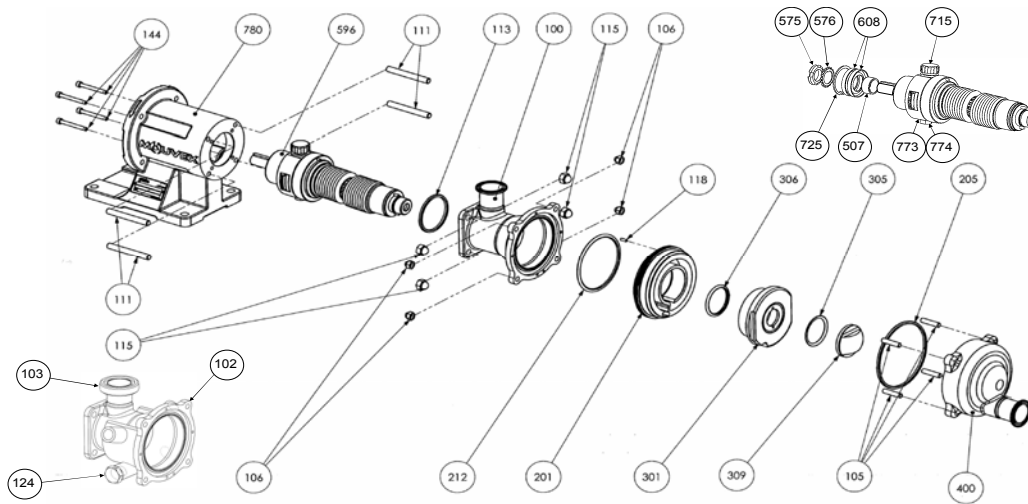
(◆) Sets of parts or (▲) parts available to order



Reference			Description	Quantity		ARTICLE CODE			Wear parts
Ass.	Part	Available		Order	In Pump	SLC 1	SLC 2	SLC 3	
119		◆	Set of studs and nuts	1		314798.00			
	106		Blind nut		(4)				
	105		Stud		(4)				
	115		Blind nut		(4)				
	111		Stud		(4)				
200		◆	Set cylinder/Piston	1		314814.00	314815.00	314816.00	•
	201		Cylinder		(1)				
	118		Pin		(1)				
	301		Piston		(1)				
	309	▲	Piston nut	1		226535			
206		◆	Set of FKM 'O' ring seals	1		314820.00			•
206		◆	Set of CVT 'O' ring seals	1		314821.00			•
	113		Seal		(1)				
	205		Seal Ring		(1)				
	212		Seal Ring		(1)				
	305		Seal		(1)				
	306		Seal		(1)				
400		◆	Front Cover Plate PN16 DN40	1		314878.00			
400		◆	Front Cover Plate PN20 DN40	1		314876.00			
400		◆	Front Cover Plate SMS 38	1		314880.00			
400		◆	Front Cover Plate DIN 40	1		314870.00			
400		◆	Front Cover Plate CHERRY BUREL 38	1		314866.00			
400		◆	Front Cover Plate CLAMP ISO 38	1		314874.00			
400		◆	Front Cover Plate IDF 38	1		314872.00			
400		◆	Front Cover Plate Smooth pipes	1		314868.00			
400		◆	Front Cover Plate ASEPTIK DIN 11864-BF-A DN40	1		314886.00			
400		◆	Front Cover Plate CS F DN40 VR	1		314882.00			
400		◆	Front Cover Plate BS4825-5 DN40	1		314884.00			
400		◆	Polished front Cover Plate PN16 DN40	1		314879.00			
400		◆	Polished front Cover Plate PN20 DN40	1		314877.00			
400		◆	Polished front Cover Plate SMS 38	1		314881.00			
400		◆	Polished front Cover Plate DIN 40	1		314871.00			
400		◆	Polished front Cover Plate CHERRY BUREL 38	1		314867.00			
400		◆	Polished front Cover Plate CLAMP ISO 38	1		314875.00			
400		◆	Polished front Cover Plate IDF 38	1		314873.00			
400		◆	Polished front Cover Plate Smooth pipes	1		314869.00			
400		◆	Polished front Cover Plate ASEPTIK DIN 11864-BF-A DN40	1		314887.00			
400		◆	Polished front Cover Plate CS F DN40 VR	1		314883.00			
400		◆	Polished front Cover Plate BS4825-5 DN40	1		314885.00			
	405		Front cover plate		(1)				
	404		Front cover connection		(1)				

CVT - FEP encapsulated FKM ; FDA : Food and Drug Administration (21 CFR 177 2600)

(◆) Sets of parts or (▲) parts available to order



Reference			Description	Quantity		ARTICLE CODE			Wear parts
Ass.	Part	Available		Order	In Pump	SLC 1	SLC 2	SLC 3	
596		◆	Complete transmission	1		314797.00			
596		◆	Complete transmission + Pressure switch bellows monitoring system	1		314817.00			
596		◆	Complete transmission + ATEX pressure switch bellows monitoring system	1		/			
596		◆	Complete transmission + Pressure gauge bellows monitoring system	1		314819.00			
9		◆	Bearing gaskets / screws set	1		315025.00			•
	507		Ring		(1)				
	725		Circlips		(1)				
	608		Lip seal		(2)				
	575		Nut		(1)				
	576		Washer		(1)				
8		◆	Plugs set	1		311441.00			
	715		Breather		(1)				
	773		Drain plug		(1)				
	774		Copper-plated gasket		(1)				
16		◆	Screws set			315026.00			
	144		Screw						

CVT - FEP encapsulated FKM ; FDA : Food and Drug Administration (21 CFR 177 2600)

(◆) Sets of parts or (▲) parts available to order

Keep this parts lists with Installation, Operation and Maintenance Instructions

To order the required spare parts, indicate the appropriate CUM numbers.



Z.I. la Plaine des Isles - 2 rue des Caillottes F-89000 AUXERRE - France
 Tel : +33 (0)3 86 49 86 30 • Fax : +33 (0)3 86 49 87 17
 contact@mouvex.com • www.mouvex.com