



# Screw compressor B1500

## SP/Suction and Pressure

### The Unique - 625 up to 1550 m<sup>3</sup>/hr -



**B1500 - 20 R**

1000 - 2000 rpm CW



**B1500 - 30 R**

1500 - 3000 rpm CW



**Dimensions (mm) :**

L 743 x H 362 x W 280

**Weight :**

159 kg

The solution for an optimum mounting inside truck frame.

**B1500-13R/15L**

either 650 - 1300 rpm CW  
or 750 - 1500 rpm CCW



**B1500-19R/22L**

either 975 - 1950 rpm CW  
or 1125 - 2250 rpm CCW



**Dimensions (mm) :**

L 880 x H 446 x W 295

**Weight :**

189 kg





# Screw compressor B 1500 SP

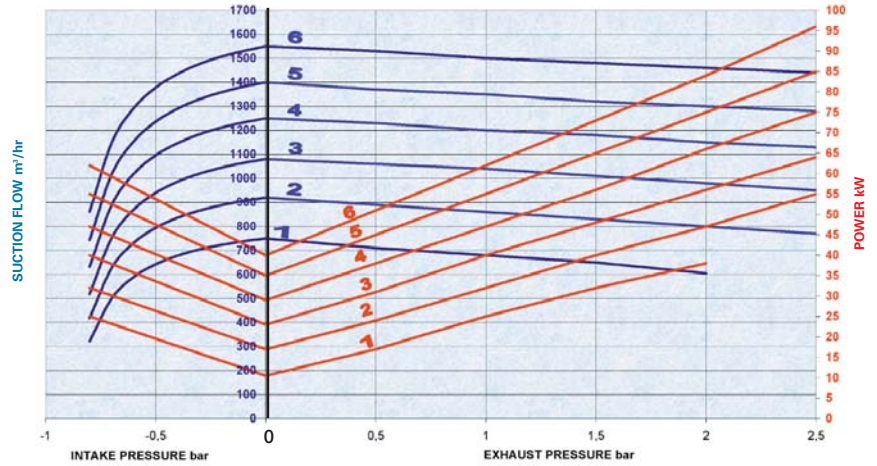
## Speed (rpm)

### COMPRESSOR SPEED

VERSION	1	2	3	4	5	6
13R	650	780	910	1040	1170	1300
15L	750	900	1050	1200	1350	1500
19R	975	1170	1365	1560	1755	1950
20R	1000	1200	1400	1600	1800	2000
22L	1125	1320	1580	1800	2035	2250
30R	1500	1800	2100	2400	2700	3000

## Flow (m<sup>3</sup>/hr) / Power (kW)

Suction atm, 20°C



## Torque / Pressure (Nm)

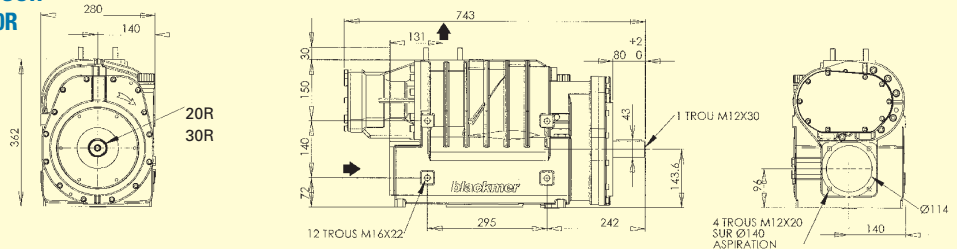
VERSION	1.5	2.0	2.5
13R	540	620	710
15L	460	530	610
19R	370	420	480
20R	350	400	460
22L	320	360	420
30R	230	270	310

\*At full speed

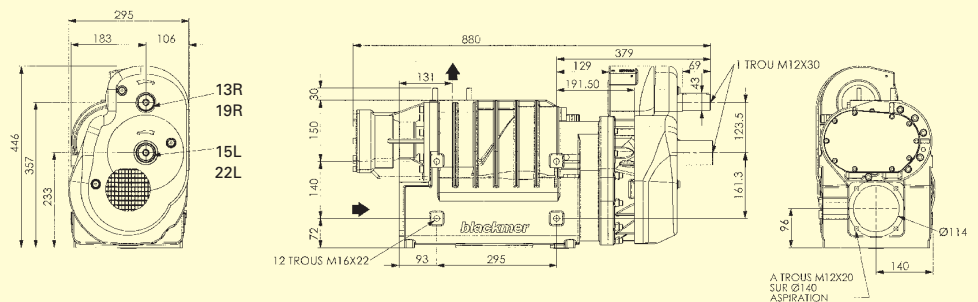
## Torque / Suction (Nm)

VERSION	-800 mbar
13R	455
15L	395
19R	312
20R	296
22L	269
30R	187

### B 1500 COMPRESSOR 20R and 30R



### B 1500 COMPRESSOR WITH MULTIPLIER 13R/15L and 19R/22L



Distributed by :

### Mouvex - Blackmer

ZI la Plaine des Isles, rue des Caillottes 89000 Auxerre, FRANCE • T +33.3.86.49.86.30 F +33.3.86.46.42.10  
contact@mouvex.com

Blackmer reserves the right to modify the information and illustrations contained in this document without prior notice. This is a non-contractual document. Printed in FRANCE by Filigrane © 2008 Blackmer