



Screw compressor B 600

The compact
- 250 up to 600 m³/hr -



B 600-20R (short/long)
1200 - 2000 rpm CW



B 600-30R
1800 - 3000 rpm CW



Dimension :

L 549 x H 348 x W 280 mm (short)

L 633 x H 348 x W 280 mm (long)

Weight : 94 kg (short)

The solution for an optimum mounting
inside truck frame.

B 600-13R/15L

either 780 - 1300 rpm CW
or 900 - 1500 rpm CCW



B 600-19R/22L

either 1170 - 1950 rpm CW
or 1320 - 2250 rpm CCW



Dimension :

L 686 x H 443 x W 295 mm

Weight :

124 kg





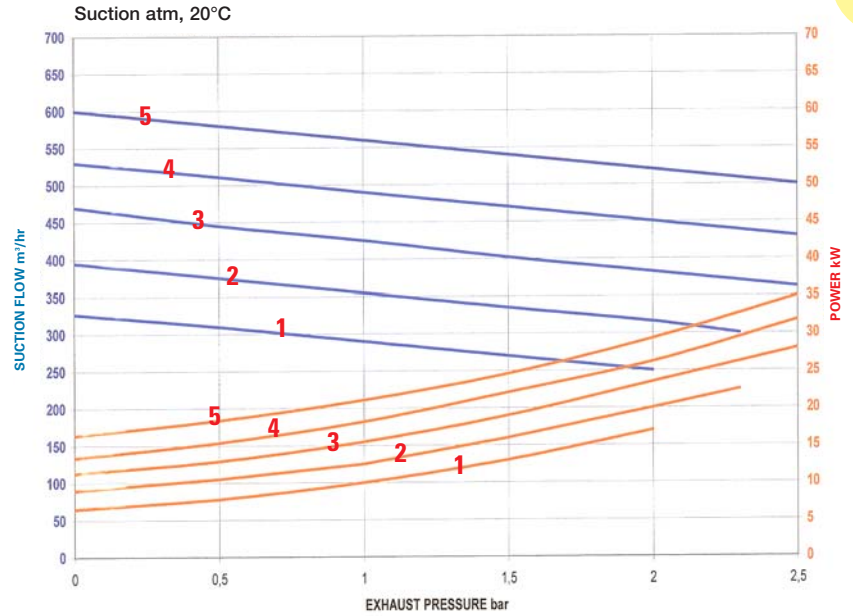
Screw compressor B 600

Speed (rpm)

COMPRESSOR SPEED

VERSION	1	2	3	4	5
13R	780	910	1040	1170	1300
15L	900	1050	1200	1350	1500
19R	1170	1365	1560	1755	1950
20R	1200	1400	1600	1800	2000
22L	1320	1580	1800	2035	2250
30R	1800	2100	2400	2700	3000

Flow (m³/hr) / Power (kW)

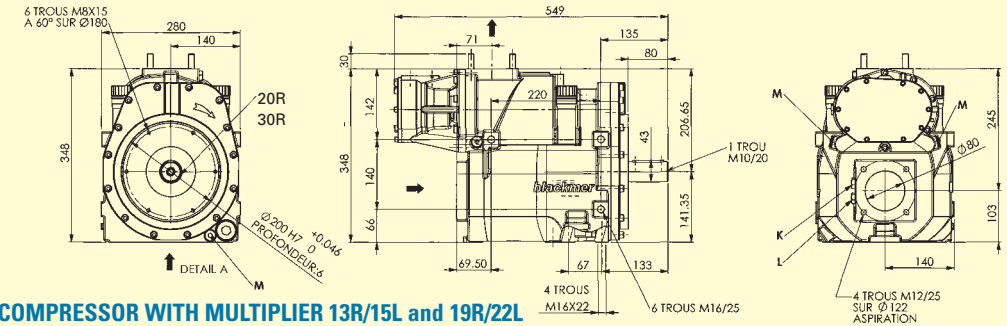


Torque / Pressure (Nm)

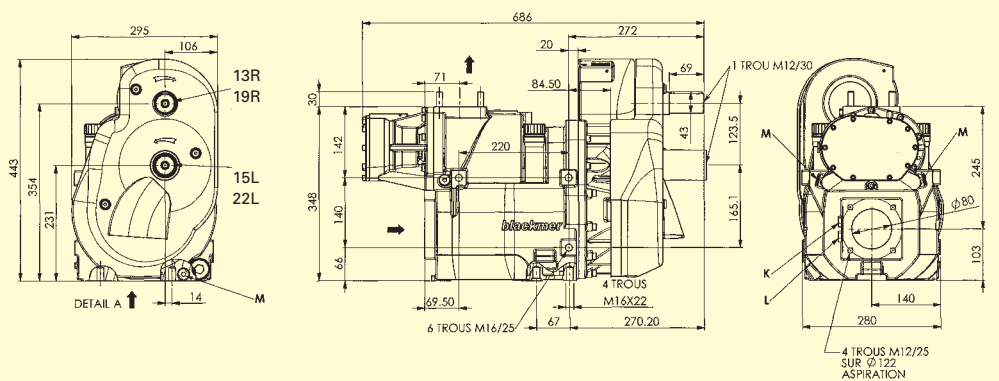
VERSION	Pressure (bar)*		
	1.5	2.0	2.5
13R	180	210	260
15L	160	180	220
19R	120	150	170
20R	120	140	170
22L	110	130	150
30R	80	90	110

*At full speed

B600 COMPRESSOR 20R and 30R



B600 COMPRESSOR WITH MULTIPLIER 13R/15L and 19R/22L



Distributed by :

Mouvex - Blackmer

ZI la Plaine des Isles, rue des Caillottes 89000 Auxerre, FRANCE • T +33.3.86.49.86.30 F +33.3.86.46.42.10
contact@mouvex.com

Blackmer reserves the right to modify the information and illustrations contained in this document without prior notice. This is a non-contractual document. Printed in FRANCE by Filigrane

© 2005 Blackmer