



Screw compressor package DDNC

Direct Driven Non Cooled system

- **Systems designed to fit trucks with a wheelbase length from 3,50 m.**
- **Versatile systems for clock-or counterclockwise drive.**
- **Systems designed for Mouvex's screw compressors.**

B 600

250 - 600 m³/h

MISTRAL

365 - 750 m³/h

TYPHON II

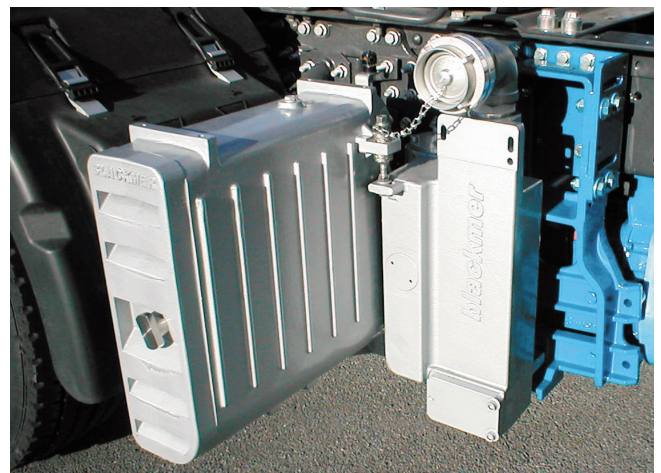
500 - 1130 m³/h

B 600 20R DDNC



Length : 456 mm - Height : 690 mm
Width : 770 mm

TYPHON II 13R/15L DDNC

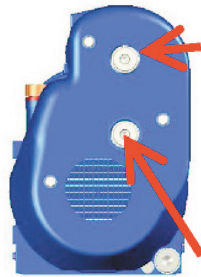
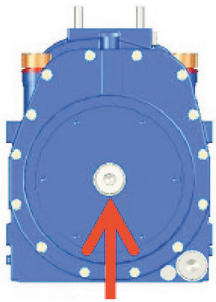


Length : 456 mm - Height : 690 mm
Width : 770 mm



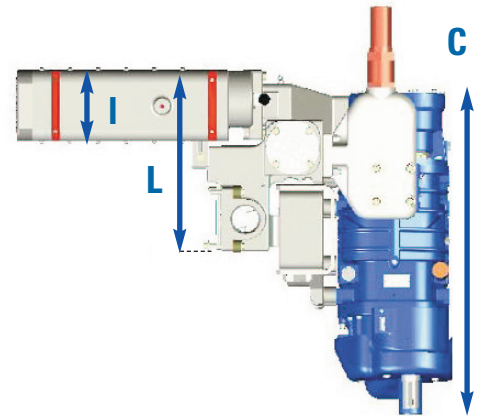
Screw compressor package DDNC

Compressor type			B 600		MISTRAL		TYPHON II	
Version			20R 30R	13R/15L 19R/22L	20R 30R	13R/15L 19R/22L	20R 30R	13R/15L 19R/22L
Flow		m ³ /h	250 - 600		365 - 750		500 - 1130	
Weight	-	kg	212	242	233	263	260	290
Height	H	mm	max. 730					
Length	L/l	mm	456/174					
Width	W	mm	min. 788 - max. 809					
Compressor Length	C	mm	549	686	587	723	664	799

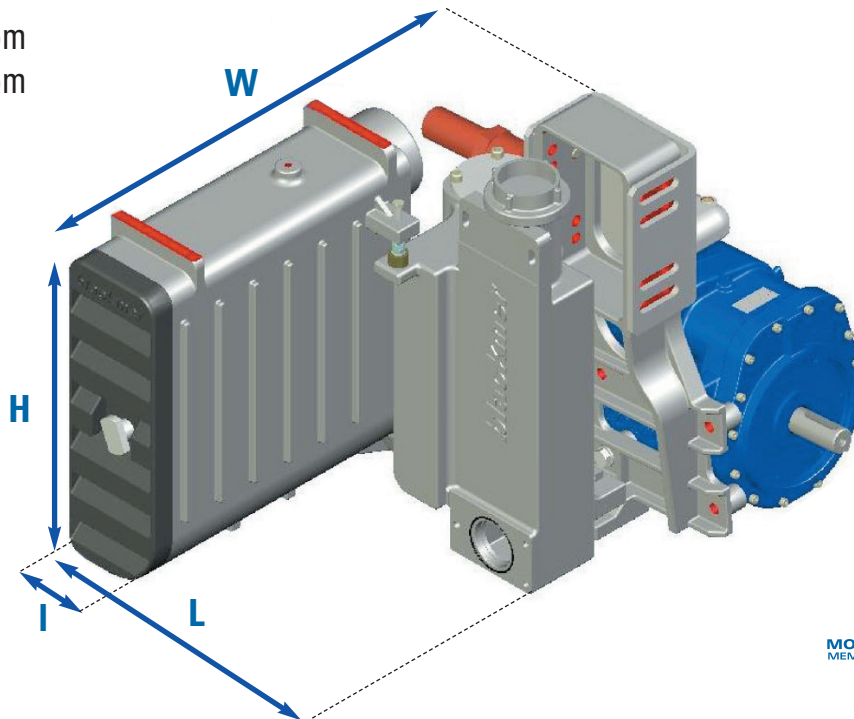


13R/CW 1040 - 1300 rpm
19R/CW 1560 - 1950 rpm

15L/CCW 1200 - 1500 rpm
22L/CCW 1800 - 2250 rpm



20R/CW 1600 - 2000 rpm
30R/CW 2400 - 3000 rpm
Speed for 2,5 bar max.



Mouvex reserves the right to modify the information and illustrations contained in this document without prior notice. This is a non-contractual document.
Printed in FRANCE by Filigrane
© 2009 Mouvex

ZI la Plaine des Isles
rue des Caillottes
89000 AUXERRE - FRANCE
T + 33.3.86.49.86.30
F + 33.3.86.46.42.10
contact@mouvex.com



Distributed by :