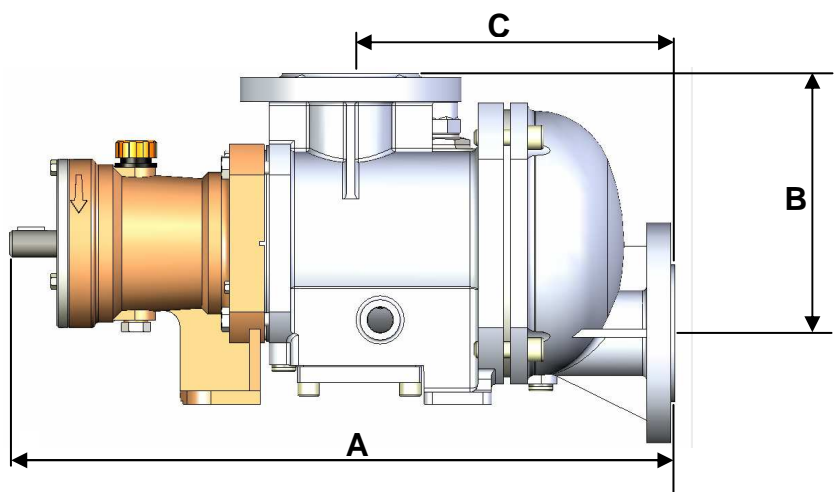
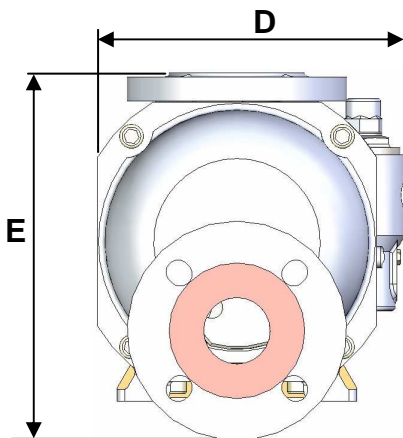


### CHARACTERISTICS

	STANDARD	AVAILABLE OPTIONS
<b>Technology</b>	Eccentric Disc Mouvex®	
<b>Maximum Flow rate at 1 cSt L/h (GPM)</b>	4000 (17.61)	
<b>Cubic capacity L (cu.in)</b>	0.108 (6.59)	
<b>Ports</b>	DN 50 ISO PN16 flanges ANSI150 compatibles	
<b>Internal relief valve</b>	With	Without
<b>Pump heating</b>	None	Heating jacket
<b>Dimensions mm (in.) with PN16 flanges</b>	<b>A</b>	497 (19.57)
	<b>B</b>	194 (7.638)
	<b>C</b>	242 (9.528)
	<b>D</b>	232 (9.134)
	<b>E</b>	276.5 (10.886)
<b>Weight kg (lbs)</b>	43 (94.8)	



### OPERATING LIMITS

	STANDARD MATERIALS
Minimum temperature °C (°F)	-15 (5)
Maximum temperature °C (°F)	100 (212)
Maximum viscosity cSt (SSU)	3000 (14000)
Maximum differential pressure bar (psi)	9 (130)
Maximum inlet pressure barg (psig)	1 (14.5)
Maximum speed rpm	750
Maximum solid particle size mm (in)	2 (0.079)
Maximum soft particle size mm (in)	6.5 (0.256)

### MATERIALS OF CONSTRUCTION

Part No	PART NAME	STANDARD MATERIALS	AVAILABLE OPTIONS
101	Inlet Manifold	Ductile Iron	
201	Cylinder	Ductile Iron	
301	Disc	Ductile Iron	
304	Disc Nut	Ductile Iron	
401	Front cover	Ductile Iron	
	Bolts, nuts	Carbon steel	
	<b>Transmission Assembly</b>		
596	Bearings	Ball / Roller / Needle	
	Bellows Assembly	316Ti & 316 L Stainless Fabrication	
	Housing	Cast iron	
	Screws	Steel	
	Transmission Lubricant	Synthetic oil	
	Seal Rings	Fluorocarbon (FKM) O-Rings	PTFE Encapsulated O-rings

