

CC20 Eccentric Disc Pump



FIELD OF APPLICATION

- **Features and benefits** : excellent self priming capacity, constant and smooth delivery, total draining of the hoses, small dimensions and reduced weight, simplicity of installation, the Mouves CC20 metering pump is an excellent solution, in its vehicle-mounted form, to the task of filling and emptying road tankers.
- Its multi-purpose application also enables it to be used as a ground-based unit.

APPLICATION

- **Chemical industry**
soda, silicates, emulsions, inks, adhesives, resins...
- **Petrochemical industry**
solvents, petrol, crude oil, paraffin, gas-oil, fuels, bitumens...
- **Food industry**
syrups, lubricants, molasses, oils, clean water...

OPERATION

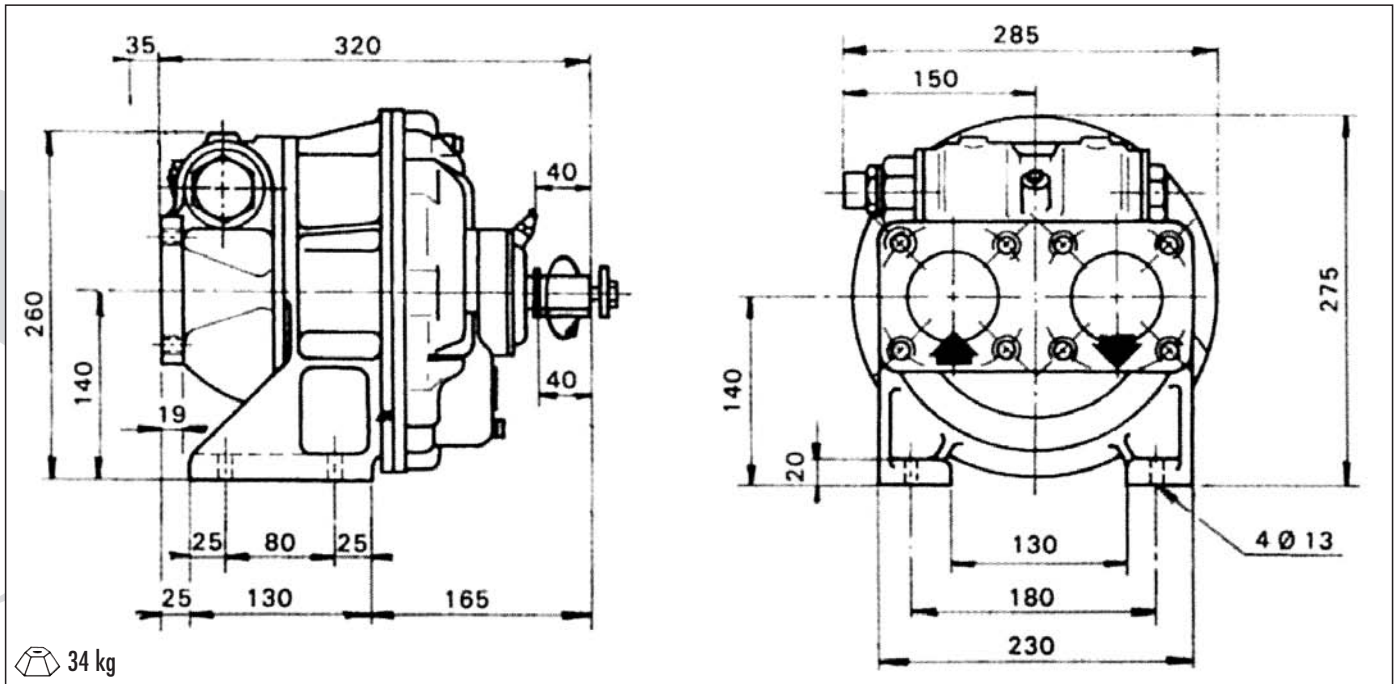
- **Principle**
Displacement pumps eccentric piston.
- **Installation**
Assembly in any position (pump with fixing brackets at bottom, at top).
- **Drive**
 - In the case of vehicle-mounted equipment : from the power take-off, by universal drive or by hydraulic motor or I.C. engine.

The best transmission ratio will be that which allows the pump to rotate at the selected speed when the engine is idling.

 - When ground-based : by electric motor or I.C. engine.

Up to 30 m³ /h





DESCRIPTION OF CONSTRUCTION

- **Standard construction** cast iron, aluminium, steel, bronze.
- **Output shaft steel** ball bearings ball race.
- **Shaft seal** mechanical.
- **Safety bypass** built-in bypass, compensated for low overpressure, adjustable by regulating screw.

ALTERNATIVES

- Cast iron and steel construction for products which cannot tolerate contact with copper
- Special "solvents" construction.
- Special "waste oil and lubricants" construction.
This variant which is used for the collection and transfer of waste oil and lubricants is especially suited for the pumping of difficult products thanks to the combination of the CC20 pump and the FA filter.

Rotation speed rpm	Flow rate m ³ /h	Pressure bar-maximum	Viscosity cst	Power required kW
750	30	3,5	75	4,1
600	24	3,5	375	3,3
500	20	3,5	750	2,8

OPTIONS

- Drain plugs.
- Bypass with forced lift.
- Direct drive by power take-off.
- ICE drive.
- Hydraulic motor drive.



ZI la Plaine des Isles
rue des Caillottes
89000 AUXERRE - FRANCE
Tél : + 33.3.86.49.86.30
Fax + 33.3.86.46.42.10
contact@mouvex.com



Distributed by :