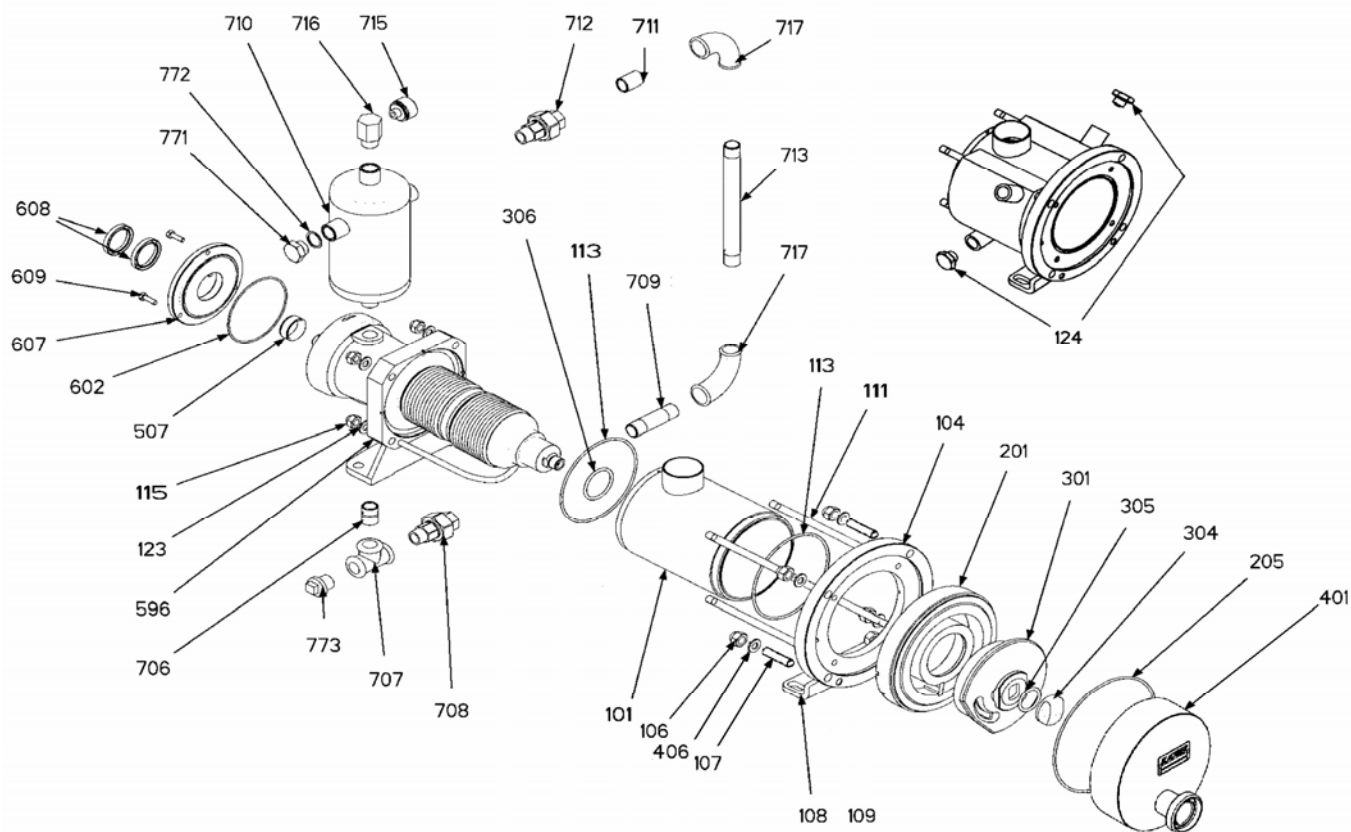


Section	1001
Effective	June 2010
Replaces	April 2009

(See Instructions 1001-A00 for Installation, Operation and Maintenance)



Reference			Description	Quantity		Article code		Wear parts
Ass.	Part	Available		Order	In Pump	C4 i VR HT	C8 i VR HT	
STANDARD INLET MANIFOLD :								
100		◆	PN16 DN50	1			311450.00	
100		◆	PN20 DN50	1			311725.00	
100		◆	SMS 51	1			311345.00	
100		◆	DIN 50	1			311645.00	
100		◆	CHERRY BURREL 51	1			311603.00	
100		◆	CLAMP ISO 51	1			311675.00	
100		◆	IDF 51	1			311647.00	
100		◆	Smooth Pipes	1			311649.00	
100		◆	CS F DN50 VR	1			313898.00	
100		◆	BS4825-5 DN50	1			313985.00	
JACKETED INLET MANIFOLD :								
100		◆	PN16 DN50	1			311846.00	
100		◆	PN20 DN50	1			311852.00	
100		◆	SMS 51	1			311845.00	
100		◆	DIN 50	1			311850.00	
100		◆	CHERRY BURREL 51	1			311847.00	
100		◆	CLAMP ISO 51	1			311849.00	
100		◆	IDF 51	1			311851.00	
100		◆	Smooth Pipes	1			311848.00	
100		◆	CS F DN50 VR	1			313900.00	
100		◆	BS4825-5 DN50	1			313987.00	
	101		Main body		(1)			
	104		Main body flange		(1)			
	108		Support foot		(1)			
	109		Screw		(2)			
	117		Pin		(2)			
	118		Pin		(1)			
	124		Plug (with Jacketed Inlet)		(2)			

(◆) Sets of parts or (▲) parts available to order.

Reference			Description	Quantity		Article code		Wear parts
Ass.	Part	Available		Order	In Pump	C4 i VR HT	C8 i VR HT	
119		◆	Set of studs and nuts	1		313664.00	313663.00	
	106		Blind nut		(8)			
	107		Stud		(4)			
	111		Stud		(4)			
	115		Blind nut		(4)			
	123		Washer		(4)			
	136		Washer (C8)		(4)			
	406		Washer (C4)		(4)			
200		◆	Set cylinder/Piston	1		313397.00	313399.00	•
	201		Cylinder		(1)			
	301		Piston		(1)			
	304	▲	Piston nut	1		216257	218572	
206		◆	Set of FKM 'O' ring seals	1		313659.00		•
206		◆	Set of CVT 'O' ring seals	1		313660.00		•
206		◆	Set of FKM lip seals ('L' rings) FDA	1		313661.00		•
	113		Seal		(2)			
	205		Seal Ring		(2)			
	305		Seal		(1)			
	306		Seal		(1)			
400		◆	FRONT COVER :					
		◆	PN16 DN50	1		313576.00		
		◆	PN20 DN50	1		313577.00		
		◆	SMS 51	1		313575.00		
		◆	DIN 50	1		313480.00		
		◆	CHERRY BURREL 51	1		313579.00		
		◆	CLAMP ISO 51	1		313581.00		
		◆	IDF 51	1		313582.00		
		◆	Smooth Pipes	1		313580.00		
		◆	CS F DN50 VR	1		313902.00		
		◆	BS4825-5 DN50	1		313988.00		
596		◆	Complete transmission with container :					
		◆	Standard spring	1		312029.03		
		◆	Strong spring	1		314580.00		
		◆	Standard spring - Jacketed version	1		312297.03		
		◆	Strong spring - Jacketed version	1		314581.00		
596A		◆	Complete transmission without container :					
		◆	Standard spring	1		312639.02		
		◆	Strong spring	1		314582.00		
		◆	Standard spring - Jacketed version	1		314024.00		
		◆	Strong spring - Jacketed version	1		314583.00		
	7	◆	Connection	1		312298.00		
	706		Nipple		(1)			
	707		Tee piece		(1)			
	708		Union		(1)			
	709		Nipple		(1)			
	711		Nipple		(1)			
	712		Union		(1)			
	713		Nipple		(1)			
	716		Nipple		(1)			
	717		Elbow		(2)			
	710	◆	Bearing oil reservoir	1		312296.00		
	009	◆	Bearing gaskets / screws	1		315271.00		
	507		Ring		(1)			
	602		Gasket		(1)			
	608		Lip seal		(2)			
	609		Bearing screws		(3)			
	8	◆	Plugs + gasket	1		314455.00		
	715		Breather		(1)			
	771		Seal		(1)			
	772		Plug		(1)			
	773		Drain plug		(1)			

CVT - FEP encapsulated FKM ; FDA : Food and Drug Administration (21 CFR 177 2600)

(◆) Sets of parts or (▲) parts available to order.

Keep this parts lists with Installation, Operation and Maintenance Instructions

To order the required spare parts, indicate the appropriate CUM numbers.



Z.I. la Plaine des Isles - 2 rue des Caillottes F-89000 AUXERRE - France

Tel : +33 (0)3 86 49 86 30 • Fax : +33 (0)3 86 49 87 17

contact@mouvex.com • www.mouvex.com