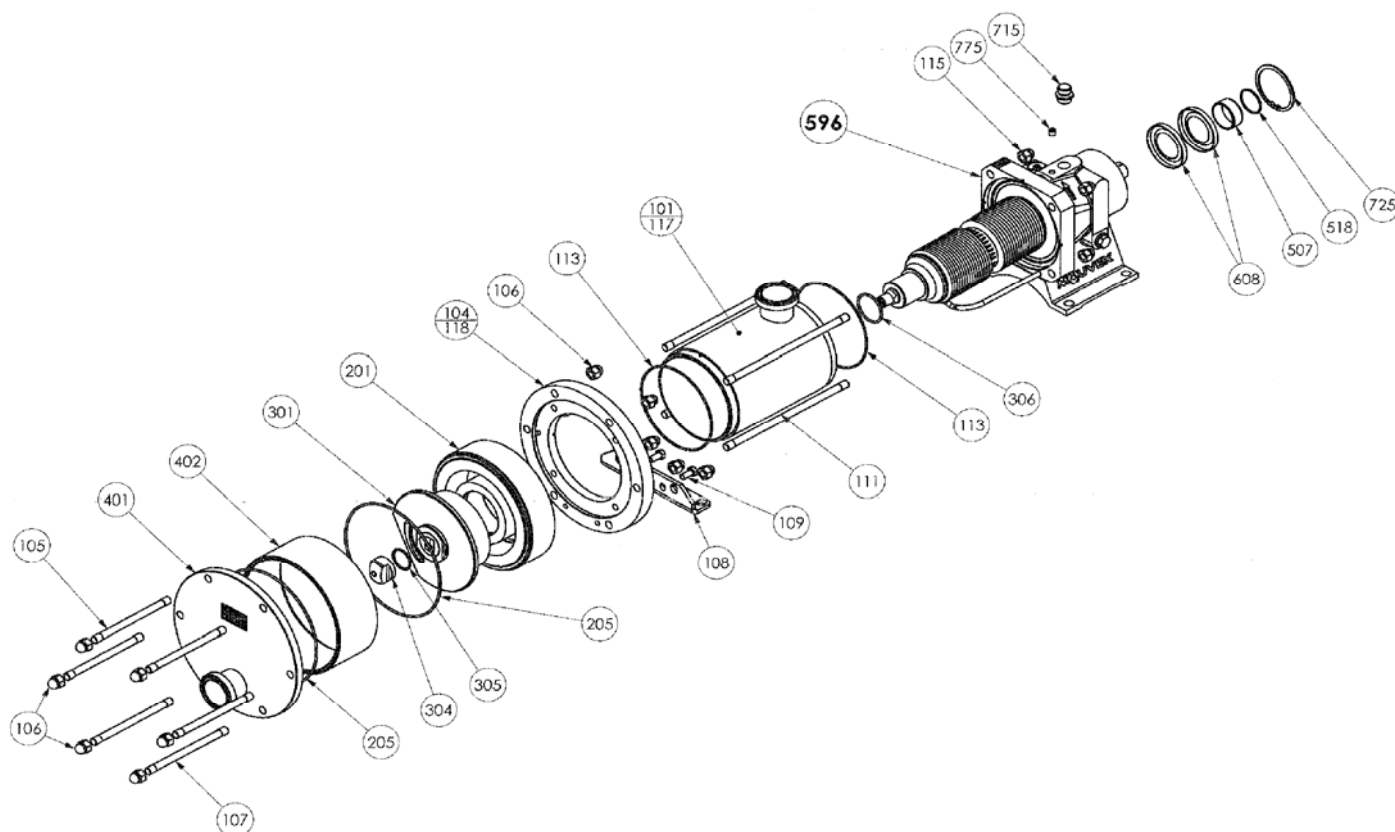


(See Instructions 1001-D00 for Installation, Operation and Maintenance)

Section Effective Replaces	1001 May 2011 June 2010
----------------------------	-------------------------------



Reference			Description	Quantity		Article code		Wear parts
Ass.	Part	Available		Order	In Pump	C12 i	C18 i	
STANDARD INLET MANIFOLD :								
100		◆	PN16 DN65	1		311582.00		
100		◆	PN20 DN65	1		311726.00		
100		◆	SMS 63	1		311581.00		
100		◆	DIN 65	1		311646.00		
100		◆	CHERRY BURREL 63	1		311607.00		
100		◆	CLAMP ISO 63	1		311644.00		
100		◆	IDF 63	1		311648.00		
100		◆	Smooth Pipes	1		311650.00		
100		◆	ASEPTIK DIN 11864-BF-A DN65	1		313559.00		
100		◆	CS F DN65	1		313894.00		
100		◆	BS4825-5 DN65	1		313990.00		
JACKETED INLET MANIFOLD :								
100		◆	PN16 DN65	1		311854.00		
100		◆	PN20 DN65	1		311860.00		
100		◆	SMS 63	1		311853.00		
100		◆	DIN 65	1		311858.00		
100		◆	CHERRY BURREL 63	1		311855.00		
100		◆	CLAMP ISO 63	1		311857.00		
100		◆	IDF 63	1		311859.00		
100		◆	Smooth Pipes	1		311856.00		
100		◆	ASEPTIK DIN 11864-BF-A DN65	1		313572.00		
100		◆	CS F DN65	1		313897.00		
100		◆	BS4825-5 DN65	1		313992.00		
	101		Main body		(1)			
	104		Main body flange		(1)			
	108		Support foot		(1)			
	109		Screw		(2)			
	117		Pin		(2)			
	118		Pin		(1)			
	124		Plug (with Jacketed Inlet)		(2)			

(◆) To order the required spare parts, indicate the appropriate CUM numbers.

Reference			Description	Quantity		Article code		Wear parts
Ass.	Part	Available		Order	In Pump	C12 i	C18 i	
119		◆	Set of studs and nuts	1		311580.00	311748.00	
	105		Stud		(4)			
	106		Blind nut		(12)			
	107		Stud		(2)			
	111		Stud		(4)			
	115		Blind nut		(4)			
	123		Washer		(4)			
200		◆	Set cylinder/Piston	1		312865.04	312867.00	•
	201		Cylinder		(1)			
	301		Piston		(1)			
	304	▲	Piston nut	1		218053	218397	
206		◆	Set of FKM 'O' ring seals	1		311588.00		•
206		◆	Set of CVT 'O' ring seals	1		311589.00		•
206		◆	Set of FKM lip seals ('L' rings) FDA	1		311763.00		•
206		◆	Set of L. PTFE seals ('L' rings)	1		311812.04		•
	113		Seal		(2)			
	205		Seal Ring		(2)			
	305		Seal		(1)			
	306		Seal		(1)			
400		◆	COMPLETE FRONT COVER :					
400		◆	PN16 DN65	1		311591.00		
400		◆	PN20 DN65	1		311728.00		
400		◆	SMS 63	1		311590.00		
400		◆	DIN 65	1		311639.00		
400		◆	CHERRY BURREL 63	1		311609.00		
400		◆	CLAMP ISO 63	1		311637.00		
400		◆	IDF 63	1		311641.00		
400		◆	Smooth pipes	1		311643.00		
400		◆	ASEPTIK DIN 11864-BF-A DN65	1		313557.00		
400		◆	CS F DN65	1		313903.00		
400		◆	BS4825-5 DN65	1		313993.00		
			Front cover :					
401		◆	PN16 DN65	1		311523.00		
401		◆	PN20 DN65	1		311722.00		
401		◆	SMS 63	1		311467.00		
401		◆	DIN 65	1		311623.00		
401		◆	CHERRY BURREL 63	1		311608.00		
401		◆	CLAMP ISO 63	1		311621.00		
401		◆	IDF 63	1		311625.00		
401		◆	Smooth pipes	1		311627.00		
401		◆	ASEPTIK DIN 11864-BF-A DN65	1		313565.00		
401		◆	CS F DN65	1		313904.00		
401		◆	BS4825-5 DN65	1		314002.00		
402			Outlet tube		(1)			

Reference			Description	Quantity		Article code		Wear parts
Ass.	Part	Available		Order	In Pump	C12 i	C18 i	
596		◆	COMPLETE STANDARD TRANSMISSION :					
			without Bellows monitoring system	1		313789.00		
596		◆	with Pressure switch bellows monitoring system	1		313670.01		
596		◆	with ATEX pressure switch bellows monitoring system	1		313786.00		
596		◆	with Pressure gauge bellows monitoring system	1		314793.00		
			COMPLETE JACKETED TRANSMISSION :					
596		◆	without Bellows monitoring system	1		313848.00		
596		◆	with Pressure switch bellows monitoring system	1		313671.01		
596		◆	with ATEX pressure switch bellows monitoring system	1		313791.00		
596		◆	with Pressure gauge bellows monitoring system	1		314792.00		
	9	◆	Bearing gaskets / ring	1		312855.01		
	507		Ring		(1)			
	518		O-Ring		(1)			
	608		Lip seal		(2)			
	725		Circlip		(1)			
	8	◆	Plugs + gasket	1		314259.00		
	715		Breather		(1)			
	771		Seal		(1)			
	772		Plug		(1)			
	775		Plug		(1)			

CVT : FKM enrobé FEP

(◆) To order the required spare parts, indicate the appropriate CUM numbers.
Keep this parts lists with Installation, Operation and Maintenance Instructions.

CVT : FEP encapsulated FKM



Z.I. la Plaine des Isles - 2 rue des Caillottes F-89000 AUXERRE - France
Tel : +33 (0)3 86 49 86 30 • Fax : +33 (0)3 86 49 87 17
contact@mouvex.com • www.mouvex.com