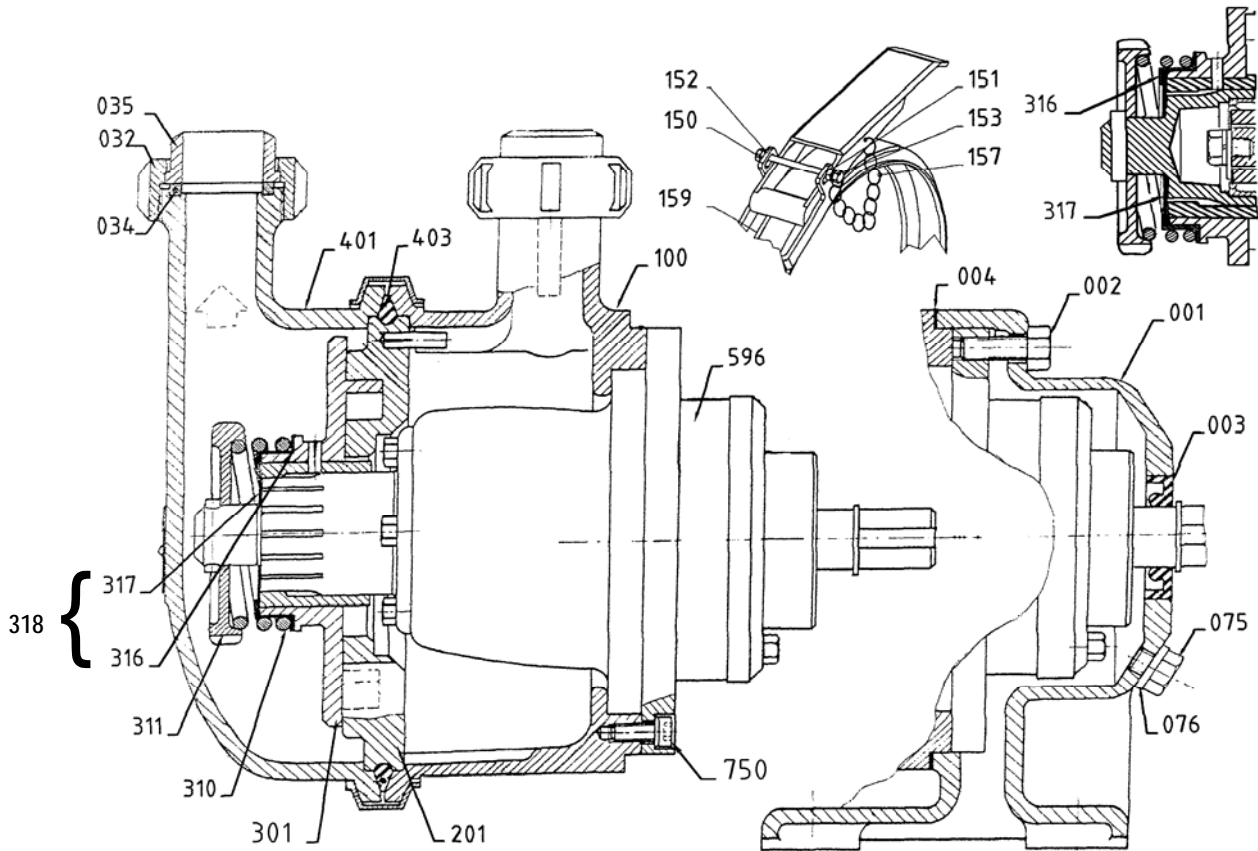


Section	1002
Effective	April 2010
Replaces	July 2008

(See Instructions 1002-A00 for Installation, Operation and Maintenance)



Reference			Description	Quantity		ARTICLE CODE		Wear parts
Ass.	Part	Available		Order	In Pump	S2 AL	S2 CH	
5		◆	<b>Support foot pump complete</b>	1		301525.00		
	001		Support foot		(1)			
	002		Foot screw		(4)			
	003		Leap seal		(1)			
	004		Gasket		(1)			
	075		Plug		(1)			
	076		Gasket		(1)			
30		◆	<b>Set FKM SMS 38 connections</b>	1		311927.00		
30		◆	<b>Set FKM DIN 40 connections</b>	1		311951.00		
30		◆	<b>Set EPDM SMS 38 connections</b>	1		301501.00		
30		◆	<b>Set EPDM DIN 40 connections</b>	1		304637.00		
	1012		Gasket		(2)			
	1017		Locked nut		(2)			
	1019		Smooth pipe		(2)			
30		◆	<b>Set smooth pipe FKM 38</b>	1		312695.02		
30		◆	<b>Set smooth pipe EPDM 38</b>	1		301520.00		
	1012		Gasket		(2)			
	1017		Locked nut		(2)			
	1019		Smooth pipe		(2)			
100		◆	<b>Polish Connection pipe SMS 38</b>	1		301483.00		
100		◆	<b>Polish Connection pipe DIN 40</b>	1		304685.00		
100		◆	<b>Connection pipe SMS 38</b>	1			312932.00	
100		◆	<b>Connection pipe DIN 40</b>	1			312933.00	
	101		Inlet tube		(1)			
	104		Pin		(2)			

(◆) Sets of parts or (▲) parts available to order.

Keep this parts lists with Installation, Operation and Maintenance Instructions

Reference			Description	Quantity		ARTICLE CODE		Wear parts
Ass.	Part	Available		Order	In Pump	S2 AL	S2 CH	
120		◆	Set gaskets connection FKM SMS 38	1		311928.00		
120		◆	Set gaskets connection FKM DIN 40	1		312005.00		
120		◆	Set gaskets connection EPDM SMS 38	1		304851.00		
120		◆	Set gaskets connection EPDM DIN 40	1		304861.00		
	034		Gasket		(6)			
155		◆	Clamping collar complete	1		304928.00		
	150		Nut		(1)			
	151		Nut		(1)			
	152		Nut		(1)			
	153		Screw		(1)			
	157		Small chain		(1)			
	159		Clamping collar		(1)			
200		◆	Set Cylinder/Piston	1		313410.00		•
	201		Cylinder		(1)			
	301		Piston		(1)			
310		▲	Spring back piston	1		201216		
310		▲	Strong spring back piston	1		216492		
311		▲	Back piston support	1		206684		
318		◆	Piston neck seals - FKM	1		315317.00		
318		◆	Piston neck seals - EPDM	1		315316.00		
	316		Cage		(1)			
	317		Gasket		(1)			
400		◆	Polish bottom SMS38	1		307067.01		
400		◆	Polish bottom DIN 40	1		307066.01		
400		◆	Bottom SMS38	1			309156.00	
400		◆	Bottom DIN 40	1			312579.00	
	401		Front cover		(1)			
	425		Name plate		(1)			
	426		Plate rivet		(2)			
403		▲	FKM Oring	1		200812		
403		▲	EPDM Oring	1		204679		
596		◆	Complete Transmission block FKM	1		502030.01		•
596		◆	Complete transmission block FKM with detection	1		513915.01		•
596		◆	Complete Transmission block EPDM	1		503812.01		•
596		◆	Complete Transmission block EPDM with detection	1		513916.01		•

(◆) Sets of parts or (▲) parts available to order.

Keep this parts lists with Installation, Operation and Maintenance Instructions



Z.I. la Plaine des Isles - 2 rue des Caillottes F-89000 AUXERRE - FRANCE  
 Tel : +33 (0)3 86 49 86 30 • Fax : +33 (0)3 86 49 87 17  
 contact@mouvex.com - www.mouvex.com