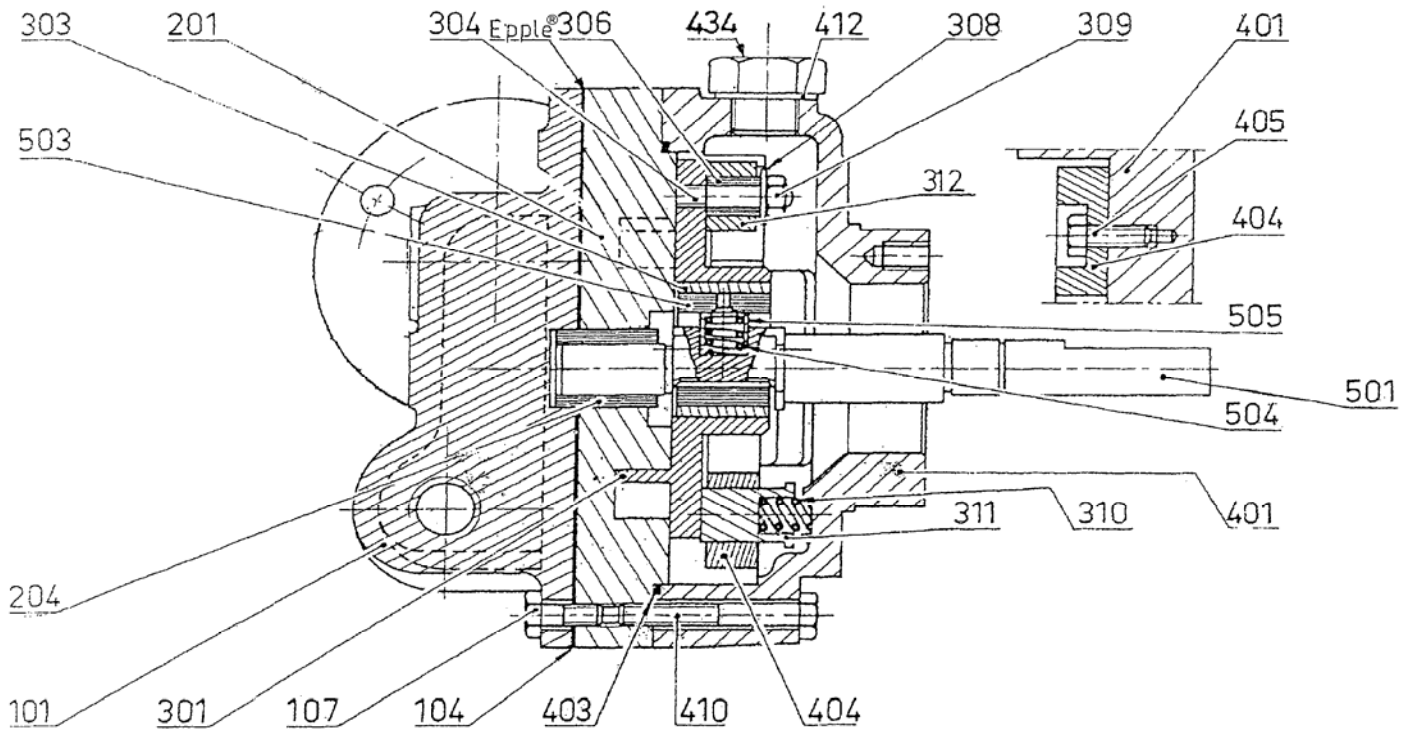


(See Instructions 1003-A00 for Installation, Operation and Maintenance)

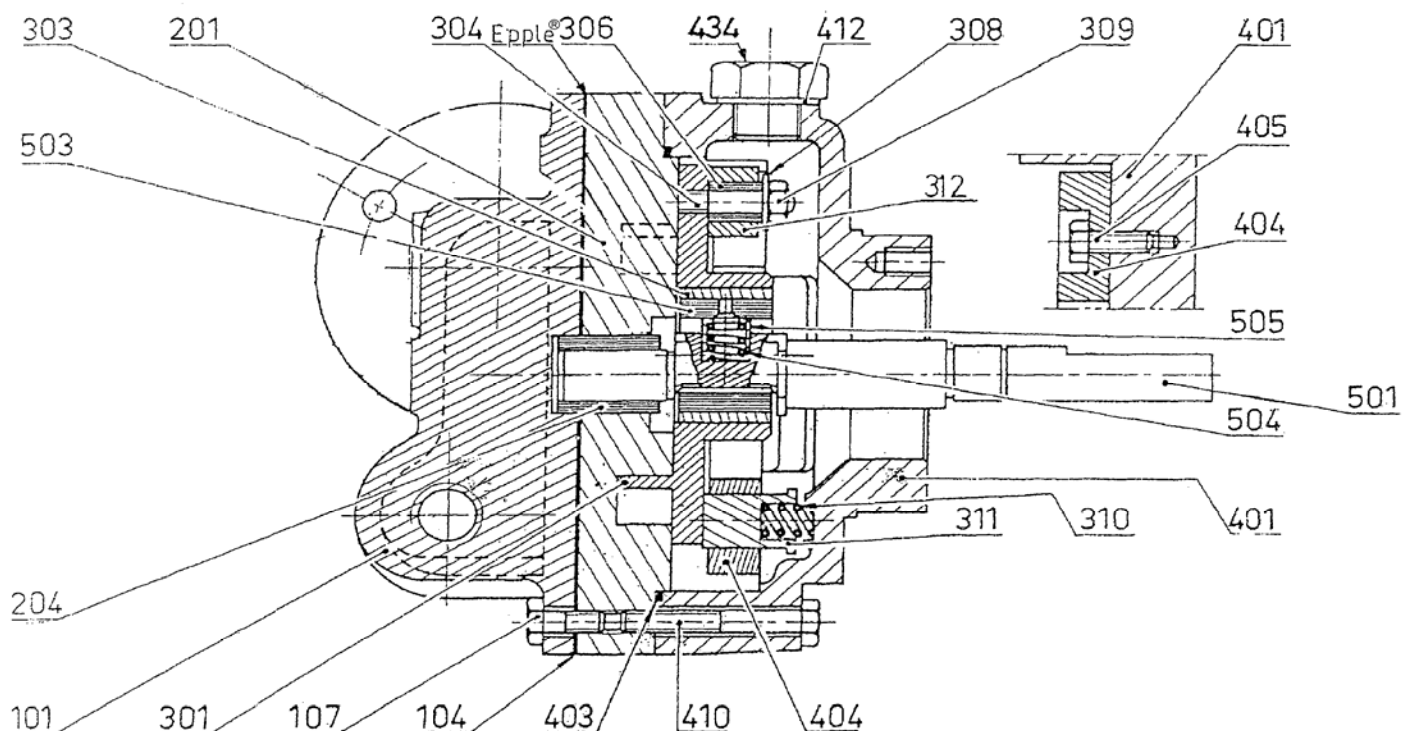
Section	1003
Effective	November 2011
Replaces	September 2011



Epple® is a registered trademark.

Reference			Description	Quantity		Article code	Wear parts
Ass.	Part	Available		Order	In Pump	AZ O	
001		◆	Support foot pump complete	1		300303.00	
	001		Support foot pump		1		
	002		Foot screw		(4)		
98		◆	Full set of screws	1		300239.00	
	107		Screw		(5)		
	410		Screw		(5)		
	706		Screw		(3)		
	721		Washer		(3)		
99		◆	Full set of seals - FKM	1		300241.00	
	104		Gasket		(1)		
	403		Front cover seal		(1)		
	412		Seal		(1)		
	1002		Seal		(1)		
	101	▲	Main body	1		203453	
200		◆	Cylinder, complete (Bronze bushing)	1		312644.01	•
200		◆	Cylinder, complete (Carbon bushing)	1		307876.03	•
	201		Cylinder		(1)		
	204	▲	Bronze bushing	1		201237	
	204	▲	Carbon bushing	1		211735	

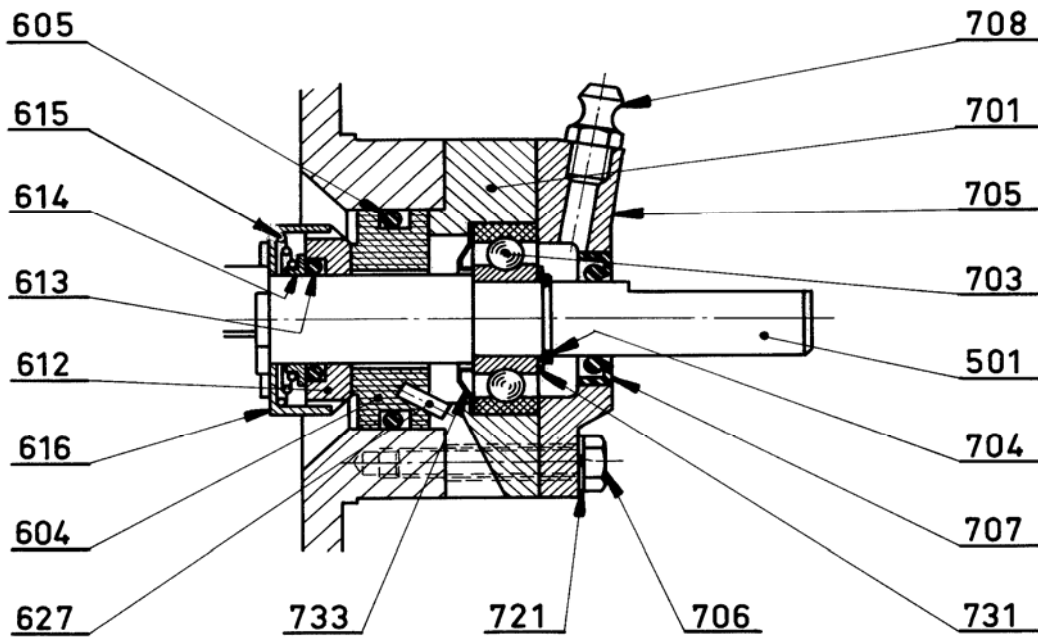
(◆) Sets of parts or (▲) parts available to order.



Epple® is a registered trademark.

Reference			Description	Quantity		Article code	Wear parts
Ass.	Part	Available		Order	In Pump	AZ O	
300		◆	Complete piston - Bronze bushing	1		302998.01	•
300		◆	Complete piston - Carbon bushing	1		308328.01	•
300		◆	Complete piston (drilled) - Bronze bushing	1		311172.02	•
300		◆	Complete piston (drilled) - Carbon bushing	1		311186.02	•
	3010		Piston + Block pin		(1)		
	303	▲	Piston bushing (bronze)	1		201239	•
	303	▲	Piston bushing (carbon)	1		211733	•
	315		Screw (for drilled piston)		(1)		
	398	◆	Slide block, complete	1		305211.01	•
	306		Bushing		(1)		
	308		Washer		(1)		
	309		Nut		(1)		
	312		Slide block		(1)		
400		◆	Complete front cover	1		300245.00	
	401		Front cover		(1)		
	402	◆	Front bushing set complete	1		300244.00	•
	310		Spring		(2)		
	311		Piston rear spring seat		(2)		
	404		Guide		(1)		
	405		Stud		(4)		
	411	◆	Front cover drain plug + seal	1		300302.00	
	412		Seal		(1)		
	434		Drain plug		(1)		
	403	▲	Front cover seal - FKM	1		200828	
500		◆	Shaft complete Monodir	1		312266.02	
	501	▲	Shaft	1		219460	
	503	▲	Piston bearing	1		203464	•
	598	◆	Bearing spring complete	1		300238.00	
	504		Spring		(1)		
	505		Bushing		(1)		

(◆) Sets of parts or (▲) parts available to order.

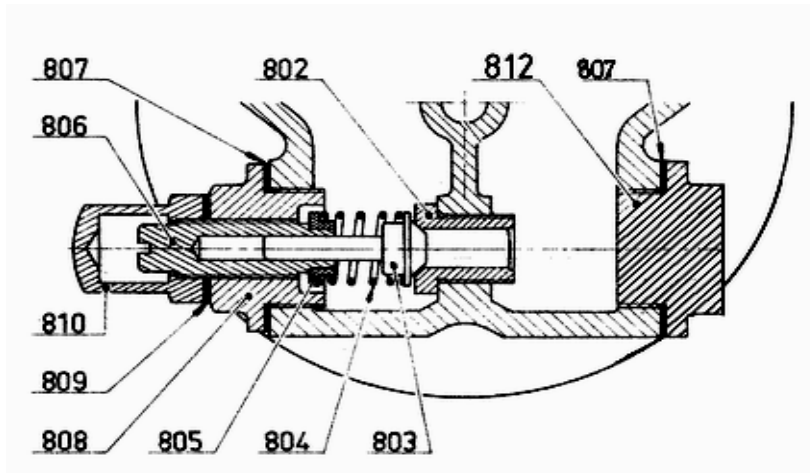


Reference			Description	Quantity		Article code	Wear parts
Ass.	Part	Available		Order	In Pump	AZ O	
600		◆	Mechanical seal - Monodir C/I VT	1		300258.00	•
600		◆	Mechanical seal - Monodir B/I VT	1		300262.00	•
	604		Stationary seal face		(1)		
	605		Seal		(1)		
	608		Washer (only for 300258.00)		(1)		
	612		Seal housing		(1)		
	613		Seal		(1)		
	614		Spring guide		(1)		
	615		Spring		(1)		
	616		Cage		(1)		
700		◆	Ball bearings complete	1		300256.00	
	701		Bearing cage		(1)		
	703	▲	Ball bearing	1		200545	•
	705		Bearing cover		(1)		
	706		Screw		(3)		
	708		Grease nipple		(1)		
	721		Washer		(3)		
	797	◆	Ball bearing washers and gasket set	1		304118.02	
	704		Ring		(1)		
	707		Lip seal		(1)		
	731		Washer		(1)		
	733		Protection circlip		(1)		

Mechanical seal :

C/I : Carbon/stainless - B/I : Bronze/stainless

(◆) Sets of parts or (▲) parts available to order.



Reference			Description	Quantity		Article code	Wear parts	
Ass.	Part	Available		Order	In Pump	AZ O		
800		◆	Bypass complete	1		300283.00	•	
		▲	Spring	1		201171		
		▲	Bypass cap	1		203388		
		▲	Plug	1		204129		
		◆	Set valve seat	1		300284.00		
			Valve seat		(1)			
			Valve		(1)			
			Spring guide		(1)			
		898	◆	Set adjusting screw	1			300285.00
		806		Adjusting screw		(1)		
	808		Adjusting screw housing		(1)			
	899	◆	Bypass gasket set	1		300281.00		
	807		Seal		(1)			
	809		Cap seal		(1)			
	848		Seal		(1)			
849		◆	Complete stirrup	1		300305.00		
			Bypass plug		(1)			
			Seal		(2)			
	812		Plug		(2)			

(◆) Sets of parts or (▲) parts available to order.

Keep this parts lists with Installation, Operation and Maintenance Instructions.

To order the required spare parts, indicate the appropriate CUM numbers.



Z.I. la Plaine des Isles - 2 rue des Caillottes F-89000 AUXERRE - FRANCE

Tel : +33 (0)3 86 49 86 30 • Fax : +33 (0)3 86 49 87 17

contact@mouvex.com • www.mouvex.com