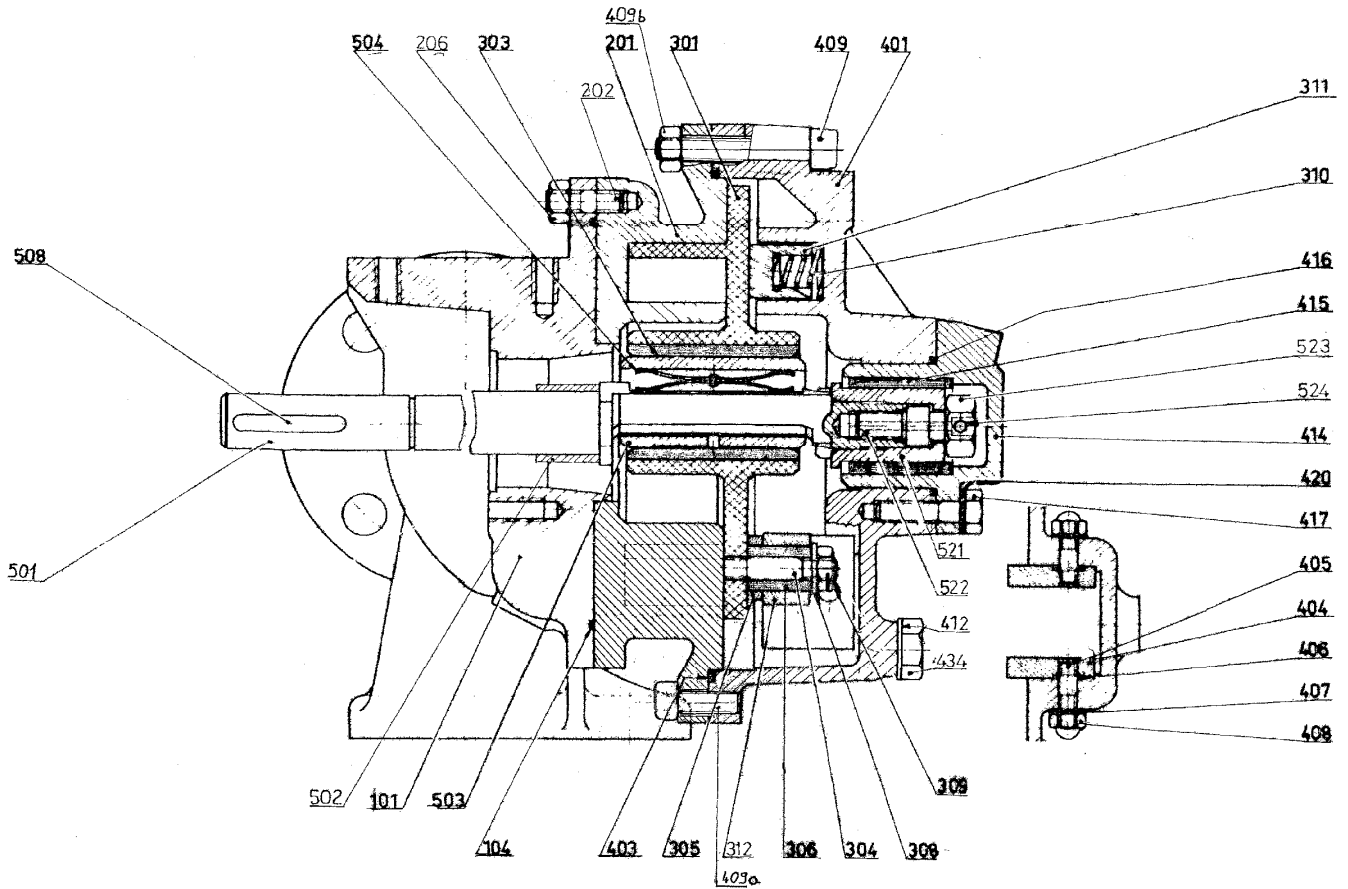


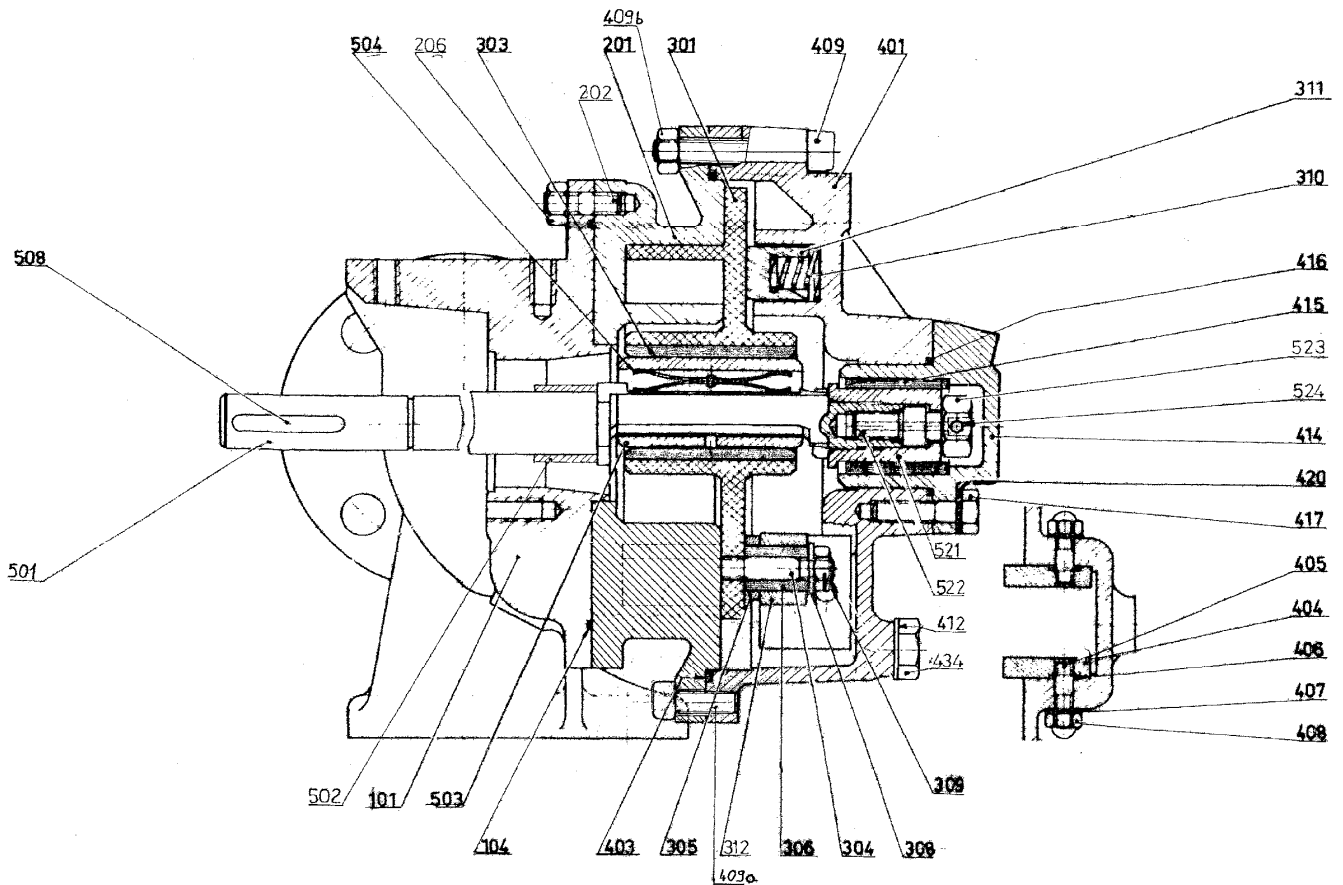
(See Instructions 1003-D00 for Installation, Operation and Maintenance)

Section	1003
Effective	September 2011
Replaces	July 2004



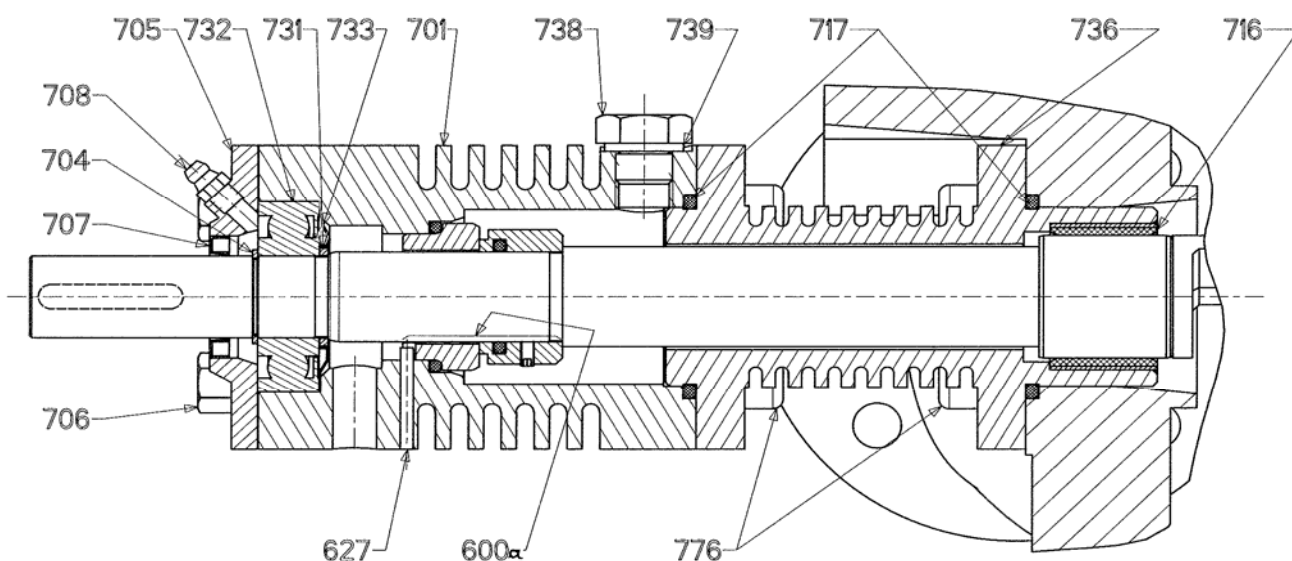
Reference			Description	Quantity		Article code	Wear parts
Ass.	Part	Available		Order	In Pump	AF HT	
99		◆	Full set of screws / seals	1		311705.00	
	104		Gasket		(1)		
	202		Stud		(8)		
	206		Nut		(8)		
	403		Front cover seal		(1)		
	405		Stud		(2)		
	406		Seal		(2)		
	407		Washer		(2)		
	408		Nut		(2)		
	409		Screw		(6)		
	409a		Nut		(6)		
	409b		Stud		(6)		
	411		Front cover drain plug + seal		(1)		
	412		Seal		(1)		
	434		Drain plug		(1)		
	416		Gasket		(1)		
	417		Screw		(4)		
	420		Washer		(4)		
	1000		Plug		(1)		
	1001		Plug		(1)		
	1002		Seal		(1)		
100		◆	Main body, complete	1		300489.04	
	101		Main body		(1)		
	817	◆	Mounting kit	1		300490.00	
	813		Nut		(2)		
	814		Stud		(8)		
	815		Washer		(2)		
	877		Centering gasket		(2)		

(◆) Sets of parts or (▲) parts available to order.



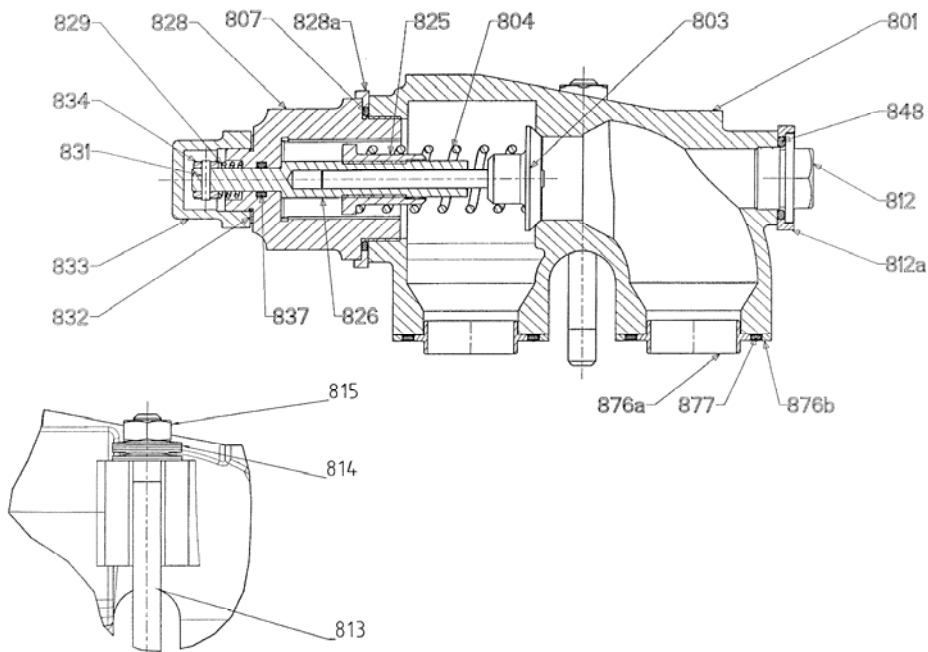
Reference			Description	Quantity		Article code	Wear parts
Ass.	Part	Available		Order	In Pump	AF HT	
200	201	◆	Cylinder, complete	1		311303.05	•
	202		Cylinder		(1)		
	206		Stud		(8)		
			Nut		(8)		
300	3010	◆	Complete piston	1	(1)	311568.04	•
	303	▲	Piston + Block pin	1		218281	•
	398	◆	Piston bushing	1		305218.00	
	305		Slide block, complete	1			
	308		Abutment		(1)		
	309		Washer		(1)		
	307	◆	Nut	1	(1)	300459.00	•
	306		Slide block + bushing		(1)		
	312		Bushing		(1)		
			Slide block		(1)		
399	310	◆	Guide block, complete	1		300462.00	
	311		Spring		(3)		
			Piston rear spring seat		(3)		
400	401	◆	Complete front cover	1	(1)	300491.04	
	402	◆	Front cover	1		300492.04	•
	404		Front bushing set		(2)		
	405		Guide		(2)		
	406		Stud		(2)		
	407		Seal		(2)		
	408		Washer		(2)		
	411	◆	Nut	1		300036.00	
	412		Front cover drain plug + seal		(1)		
	434		Seal		(1)		
	403	▲	Drain plug	1		216311	
			Front cover seal				
413	414	◆	Front cover bearing complete	1	(1)	311302.04	
	415	▲	Front cover bearing	1		218286	•
	416		Bushing		(1)		
	417		Gasket		(4)		
	420		Screw		(4)		
	1000		Washer		(1)		
			Plug		(1)		

(◆) Sets of parts or (▲) parts available to order.



Reference			Description	Quantity		Article code	Wear parts	
Ass.	Part	Available		Order	In Pump	AF HT		
500		◆	Shaft complete	1		311695.04		
		▲	Shaft	1		218315		
			Bushing		(1)			
		▲	Piston bearing	1		203509	•	
		▲	Key	1		212924		
		▲	Spring	1		201397		
		◆	Complete sleeve	1		300501.00	•	
			Sleeve		(1)			
			Screw		(1)			
			Nut		(1)			
			Pin		(1)			
	700		◆	Ball bearings complete	1		311696.04	
			◆	Mechanical seal + seals + screws	1		311702.00	•
			600		(1)			
			600a		(1)			
			704		(1)			
			706		(4)			
			707		(1)			
			717		(2)			
			731		(1)			
			733		(1)			
			738		(1)			
			739		(1)			
			776		(8)			
			627		(1)			
			701		(1)			
			705		(1)			
			708		(1)			
			732		(1)			
			736a		(1)			
			716		(1)			
		736		(1)				

(◆) Sets of parts or (▲) parts available to order.



Reference			Description	Quantity		Article code	Wear parts
Ass.	Part	Available		Order	In Pump	AF HT	
800		◆	Bypass complete - HT	1		300572.04	
	801		Bypass body		(1)		
	803		Valve		(1)		
	804	▲	Spring	1		201179	
	812		Plug		(1)		
	812a		Bushing		(1)		
	825		Spring guide		(1)		
	826		Adjusting screw		(1)		
	828		Nut		(1)		
	828a		Seat		(1)		
	833		Plug		(1)		
	834		Adjustment nut				
	899	◆	Bypass gasket set - HT	1		300549.04	
	807		Seal		(1)		
	829		Spring		(1)		
	831		Pin		(1)		
	832		Seal		(1)		
	837		Seal		(1)		
	848		Seal		(1)		
	876a		Internal centering		(2)		
	876b		External centering		(2)		
	817	◆	Mounting kit	1		300490.00	
	813		Nut		(2)		
	814		Stud		(8)		
	815		Washer		(2)		
	877		Centering gasket		(2)		

(◆) Sets of parts or (▲) parts available to order.

Keep this parts lists with Installation, Operation and Maintenance Instructions.

To order the required spare parts, indicate the appropriate CUM numbers.



Z.I. la Plaine des Isles - 2 rue des Caillottes F-89000 AUXERRE - FRANCE
 Tel : +33 (0)3 86 49 86 30 • Fax : +33 (0)3 86 49 87 17
 contact@mouvex.com • www.mouvex.com