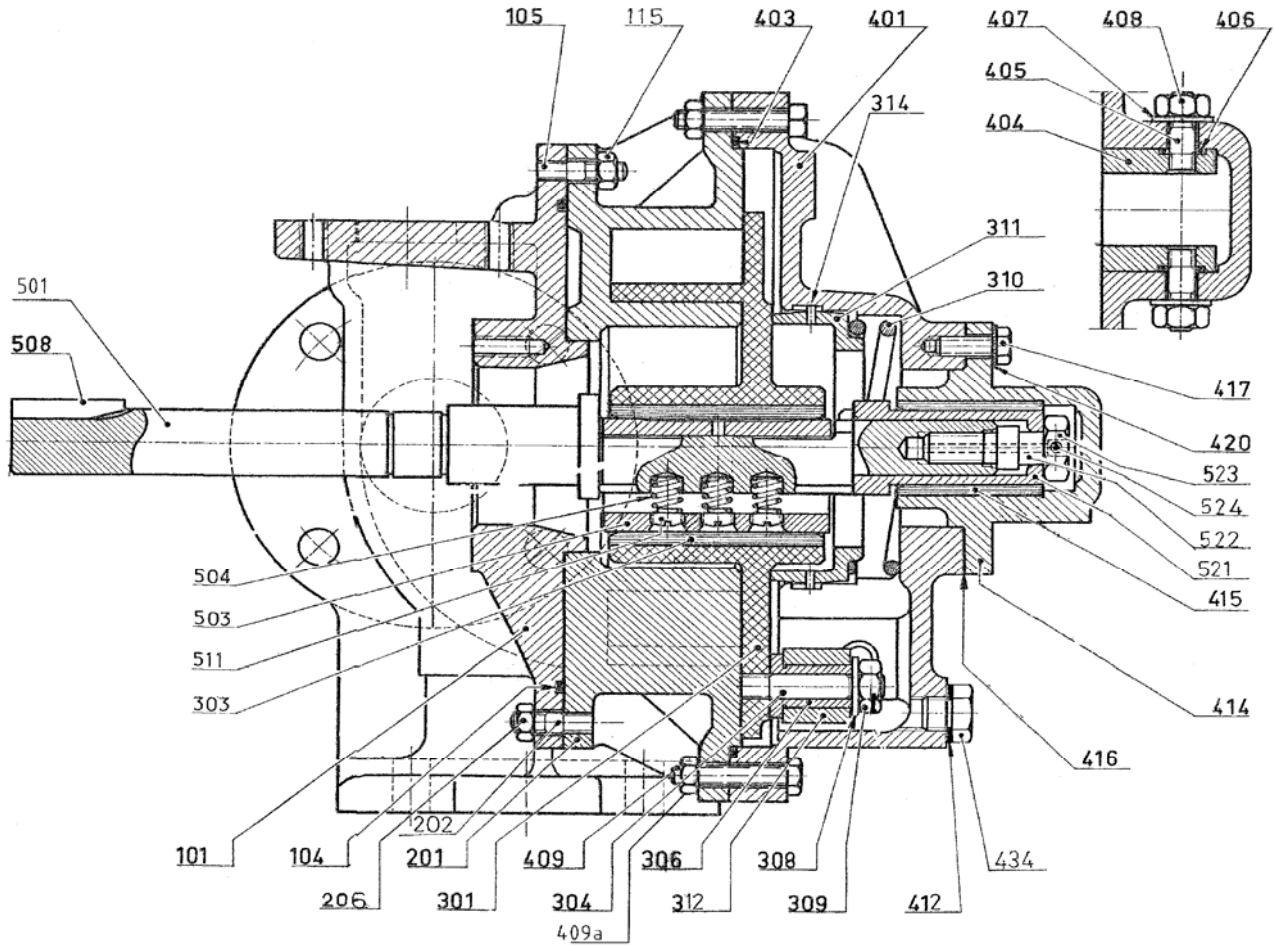


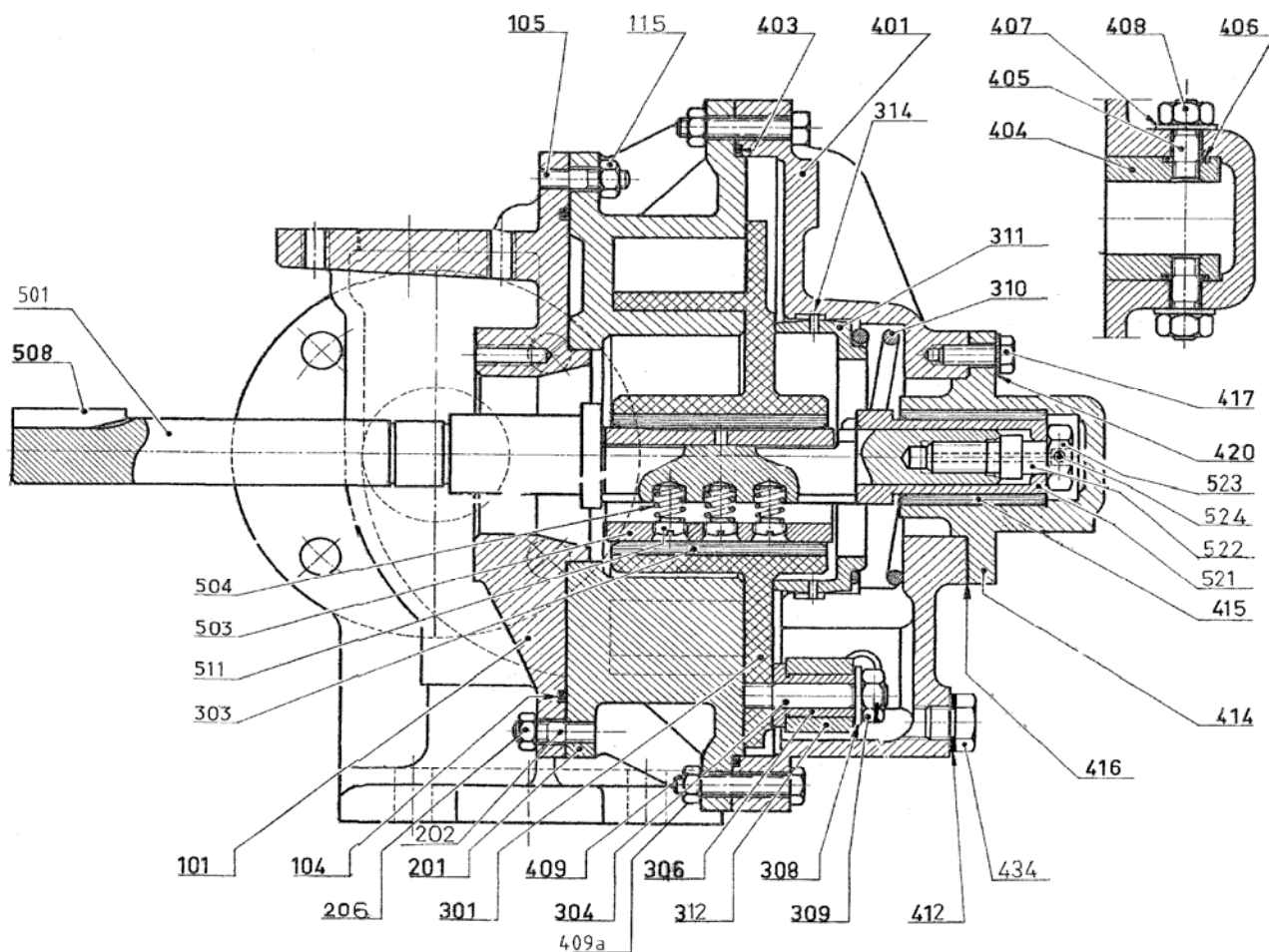
(See Instructions 1003-E00 for Installation, Operation and Maintenance)

|                            |   |
|----------------------------|---|
| Section Effective Replaces | 1003<br>November 2011<br>September 2011 |
|----------------------------|---|



| Reference |      |           | Description                                     | Quantity |         | Article code |      | Wear parts |
|-----------|------|-----------|---|----------|---------|--------------|------|------------|
| Ass.      | Part | Available |   | Order    | In Pump | AK O         | AK I |            |
| 98        |      | ◆         | <b>Full set of screws</b>                       | 1        |         | 300007.00    |      |            |
|           | 105  |           | Stud  |          | (7)     |              |      |            |
|           | 115  |           | Nut   |          | (7)     |              |      |            |
|           | 202  |           | Stud  |          | (3)     |              |      |            |
|           | 206  |           | Nut   |          | (3)     |              |      |            |
|           | 409  |           | Screw   |          | (8)     |              |      |            |
|           | 409a |           | Nut   |          | (8)     |              |      |            |
|           | 417  |           | Screw   |          | (4)     |              |      |            |
|           | 420  |           | Washer  |          | (4)     |              |      |            |
| 98        |      | ◆         | <b>Full set of screws (Heating jacket)</b>      | 1        |         | 300038.00    |      |            |
|           | 105  |           | Stud  |          | (7)     |              |      |            |
|           | 115  |           | Nut   |          | (7)     |              |      |            |
|           | 202  |           | Stud  |          | (3)     |              |      |            |
|           | 206  |           | Nut   |          | (3)     |              |      |            |
|           | 409  |           | Screw   |          | (7)     |              |      |            |
|           | 409a |           | Nut   |          | (7)     |              |      |            |
|           | 417  |           | Screw   |          | (4)     |              |      |            |
|           | 420  |           | Washer  |          | (4)     |              |      |            |
|           | 424  |           | Stud  |          | (1)     |              |      |            |
|           | 436  |           | Gasket  |          | (1)     |              |      |            |
| 99        |      | ◆         | <b>Full set of seals - FKM</b>                  | 1        |         | 300009.00    |      |            |
| 99        |      | ◆         | <b>Full set of seals - FKM (Heating jacket)</b> | 1        |         | 304076.01    |      |            |
|           | 104  |           | Gasket  |          | (1)     |              |      |            |
|           | 403  |           | Front cover seal                                |          | (1)     |              |      |            |
|           | 406  |           | Seal  |          | (2)     |              |      |            |
|           | 412  |           | Seal  |          | (1)     |              |      |            |
|           | 416  |           | Gasket  |          | (1)     |              |      |            |

(◆) Sets of parts or (▲) parts available to order.

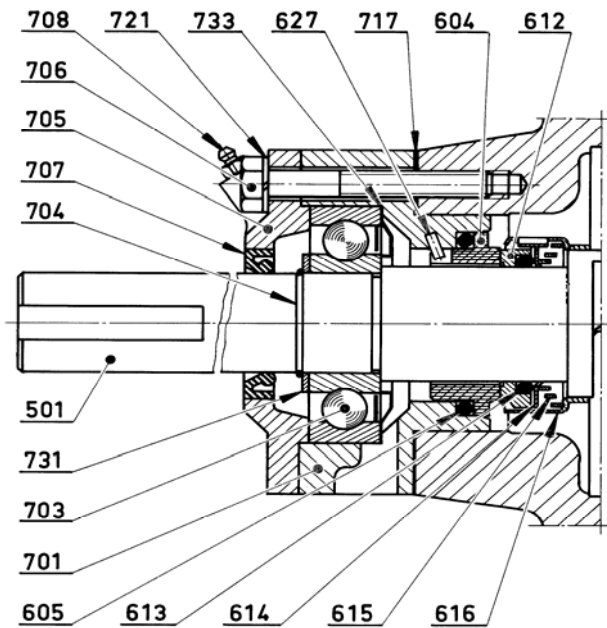


| Reference |                                   |           | Description  | Quantity |                                 | Article code |           | Wear parts |
|-----------|-----------------------------------|-----------|--|----------|---------------------------------|--------------|-----------|------------|
| Ass.      | Part                              | Available |  | Order    | In Pump                         | AK O         | AK I      |            |
| 100       | 101<br>105<br>115                 | ◆         | Main body, complete<br>Main body<br>Stud<br>Nut  | 1        | (1)<br>(7)<br>(7)               | 300000.00    | 300019.00 |            |
| 200       | 201<br>202<br>206                 | ◆         | Cylinder, complete<br>Cylinder<br>Stud<br>Nut  | 1        | (1)<br>(3)<br>(3)               | 300001.01    | 300020.00 | •          |
| 300       |                                   | ◆         | Complete piston - Bronze bushing   | 1        |                                 | 300002.00    | 300029.00 | •          |
| 300       |                                   | ◆         | Complete piston - Carbon bushing   | 1        |                                 | 307875.01    | 308317.00 | •          |
| 300       |                                   | ◆         | Complete piston (drilled) - Bronze bushing   | 1        |                                 | 310773.01    | 310774.00 | •          |
| 300       |                                   | ◆         | Complete piston (drilled) - Carbon bushing   | 1        |                                 | 310777.01    | 310779.00 | •          |
|           | 3010                              | ◆         | Piston + Block pin   |          | (1)                             |              |           | •          |
|           | 303                               | ▲         | Piston bushing (bronze)  | 1        |                                 | 219638       |           | •          |
|           | 303                               | ▲         | Piston bushing (carbon)  | 1        |                                 | 211655       |           | •          |
|           | 315                               |           | Screw (for drilled piston)   |          | (1)                             |              |           |            |
|           | 398                               | ◆         | Slide block, complete  | 1        |                                 | 305221.00    | 305222.01 |            |
|           | 308                               |           | Washer   |          | (1)                             |              |           |            |
|           | 309                               |           | Nut  |          | (1)                             |              |           |            |
|           | 307                               | ◆         | Slide block + bushing  | 1        |                                 | 300122.00    | 300123.01 | •          |
|           | 306                               |           | Bushing  |          | (1)                             |              |           |            |
|           | 312                               |           | Slide block  |          | (1)                             |              |           |            |
|           | 313                               |           | Pin (construction I)   |          | (1)                             |              |           |            |
| 399       | 310<br>311<br>311A<br>311B<br>314 | ◆         | Guide block, complete<br>Spring<br>Piston rear spring seat<br>Support for piston rear spring seat<br>Insert for piston rear spring seat<br>Pin | 1        | (1)<br>(1)<br>(1)<br>(1)<br>(2) | 300004.00    | 300023.00 |            |

(◆) Sets of parts or (▲) parts available to order.

| Reference |      |           | Description  | Quantity |         | Article code |           | Wear parts |
|-----------|------|-----------|--|----------|---------|--------------|-----------|------------|
| Ass.      | Part | Available |  | Order    | In Pump | AK O         | AK I      |            |
| 400       |      | ◆         | <b>Complete front cover - FKM</b>                    | 1        |         | 300136.00    | 300137.00 |            |
| 460       |      | ◆         | <b>Complete front cover with jacket</b>              | 1        |         | 304053.01    | 304054.00 |            |
|           | 401  |           | Front cover  |          | (1)     |              |           |            |
|           | 461  |           | Jacketed front cover                                 |          | (1)     |              |           |            |
|           | 462  |           | Jacket drain plug                                    |          | (2)     |              |           |            |
|           | 402  | ◆         | Front bushing set - FKM                              | 1        |         | 300010.00    | 300025.00 | •          |
|           | 402  | ◆         | Front bushing set - Teflon encapsulated FKM          | 1        |         | 300016.04    | 304055.00 | •          |
|           | 404  |           | Guide  |          | (2)     |              |           |            |
|           | 405  |           | Stud   |          | (2)     |              |           |            |
|           | 406  |           | Seal   |          | (2)     |              |           |            |
|           | 407  |           | Washer   |          | (2)     |              |           |            |
|           | 408  |           | Nut  |          | (2)     |              |           |            |
|           | 411  | ◆         | Front cover drain plug + seal                        | 1        |         | 300036.00    | 300037.00 |            |
|           | 412  |           | Seal   |          | (1)     |              |           |            |
|           | 434  |           | Drain plug   |          | (1)     |              |           |            |
|           | 403  | ▲         | Front cover seal - FKM                               | 1        |         | 200837       |           |            |
| 413       |      | ◆         | <b>Front cover bearing complete - Bronze bushing</b> | 1        |         | 300006.00    | 300032.00 |            |
| 413       |      | ◆         | <b>Front cover bearing complete - Carbon bushing</b> | 1        |         | 308301.00    | 308300.00 |            |
|           | 414  |           | Front cover bearing                                  |          | (1)     |              |           |            |
|           | 415  | ▲         | Bearing bushing - Bronze                             | 1        |         | 201536       |           | •          |
|           | 415  | ▲         | Bearing bushing - Carbon                             | 1        |         | 211656       |           | •          |
|           | 416  |           | Gasket   |          | (1)     |              |           |            |
|           | 417  |           | Screw  |          | (4)     |              |           |            |
|           | 420  |           | Washer   |          | (4)     |              |           |            |
| 500       |      | ◆         | <b>Shaft Blocdir complete</b>                        | 1        |         | 312272.01    | 312273.01 |            |
|           | 501  | ▲         | Shaft  | 1        |         | 219467       | 219468    |            |
|           | 503  | ▲         | Piston bearing                                       | 1        |         | 203567       | 203570    | •          |
|           | 508  | ▲         | Key  | 1        |         | 203855       |           |            |
|           | 598  | ◆         | Bearing spring complete                              | 1        |         | 300144.00    |           |            |
|           | 504  |           | Spring   |          | (3)     |              |           |            |
|           | 511  |           | Screw  |          | (3)     |              |           |            |
|           | 515  | ◆         | Complete sleeve                                      | 1        |         | 300145.00    | 300146.00 | •          |
|           | 521  |           | Sleeve   |          | (1)     |              |           |            |
|           | 522  |           | Screw  |          | (1)     |              |           |            |
|           | 523  |           | Nut  |          | (1)     |              |           |            |
|           | 524  |           | Pin  |          | (1)     |              |           |            |

(◆) Sets of parts or (▲) parts available to order.



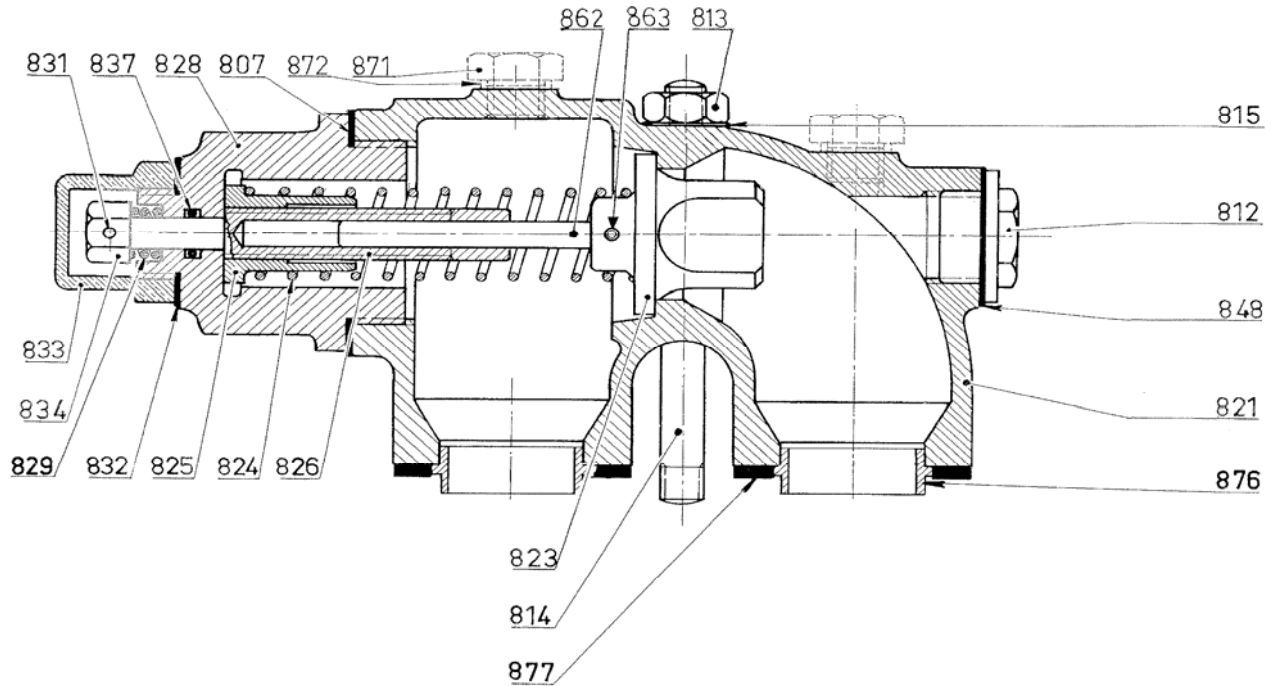
| Reference |      |           | Description                              | Quantity |         | Article code          |      | Wear parts |
|-----------|------|-----------|--|----------|---------|-----------------------|------|------------|
| Ass.      | Part | Available |  | Order    | In Pump | AK O                  | AK I |            |
| 600       |      | ◆         | Mechanical seal - Bloccdir C/I VT        | 1        |         | 300055.00             |      | •          |
| 600       |      | ◆         | Mechanical seal - Bloccdir C/I CVT       | 1        |         | 307539.01             |      | •          |
| 600       |      | ◆         | Mechanical seal - Bloccdir HR VT         | 1        |         | 304290.00             |      | •          |
| 600       |      | ◆         | Mechanical seal - Bloccdir HR CVT        | 1        |         | 308197.01             |      | •          |
|           | 610  |           | Stationary seal face complete - Bloccdir |          | (1)     |                       |      |            |
|           | 604  |           | Stationary seal face                     |          | (1)     |                       |      |            |
|           | 605  |           | Seal                                     |          | (1)     |                       |      |            |
|           | 697  |           | Rotating part - Bloccdir                 |          | (1)     |                       |      |            |
|           | 612  |           | Seal housing                             |          | (1)     |                       |      |            |
|           | 613  |           | Seal                                     |          | (1)     |                       |      |            |
|           | 614  |           | Spring guide                             |          | (1)     |                       |      |            |
|           | 615  |           | Spring                                   |          | (1)     |                       |      |            |
|           | 616  |           | Cage                                     |          | (1)     |                       |      |            |
|           | 619  |           | Seal mounting tool (for CVT)             |          | (1)     |                       |      |            |
| 700       |      | ◆         | Ball bearings complete                   | 1        |         | 300042.00   300048.00 |      |            |
|           | 627  | ▲         | Pin                                      | 1        |         | 200139                |      |            |
|           | 701  |           | Bearing cage                             |          | (1)     |                       |      |            |
|           | 703  | ▲         | Ball bearing                             | 1        |         | 212312                |      | •          |
|           | 705  |           | Bearing cover                            |          | (1)     |                       |      |            |
|           | 706  |           | Screw                                    |          | (4)     |                       |      |            |
|           | 708  |           | Grease nipple                            |          | (1)     |                       |      |            |
|           | 721  |           | Washer                                   |          | (4)     |                       |      |            |
|           | 797  | ◆         | Ball bearing washers and gasket set      | 1        |         | 300148.00   300149.00 |      |            |
|           | 704  |           | Ring                                     |          | (1)     |                       |      |            |
|           | 707  |           | Lip seal                                 |          | (1)     |                       |      |            |
|           | 717  |           | Cage seal                                |          | (1)     |                       |      |            |
|           | 731  |           | Washer                                   |          | (1)     |                       |      |            |
|           | 733  |           | Protection circlip                       |          | (1)     |                       |      |            |

CVT : FEP encapsulated FKM

**Mechanical seal :**

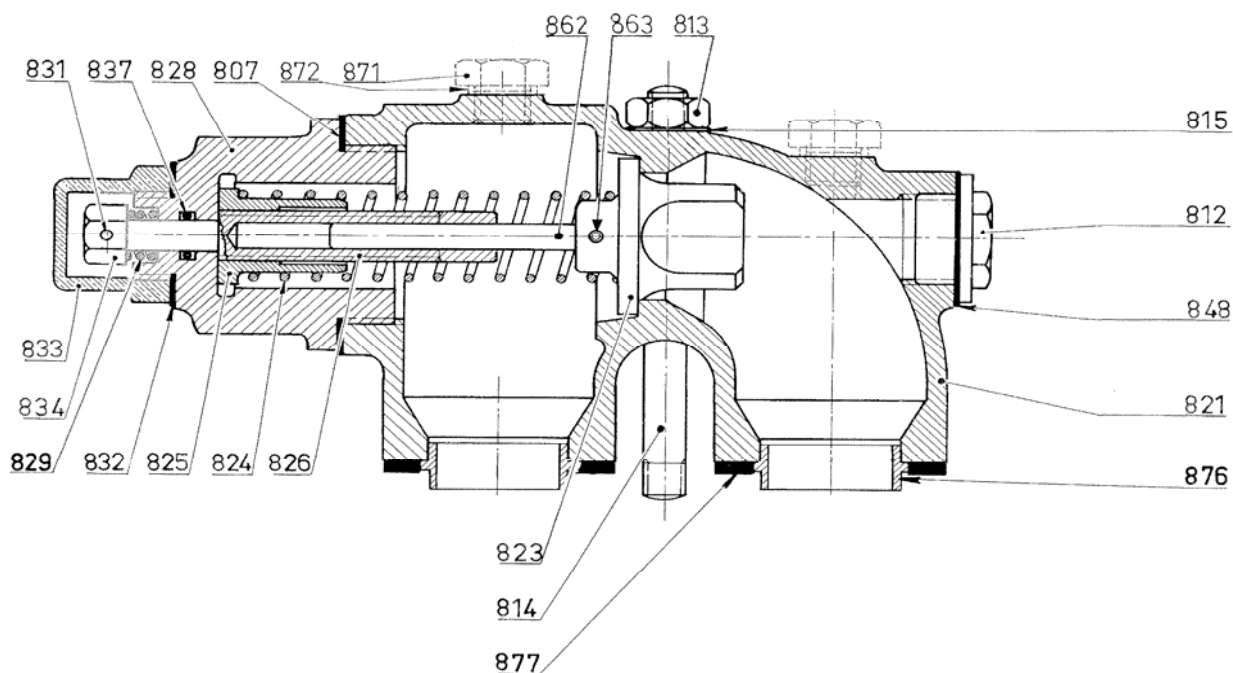
C/I : Carbon/stainless - HR : Tungsten carbide/tungsten carbide

(◆) Sets of parts or (▲) parts available to order.



| Reference |      |           | Description                     | Quantity |         | Article code |           | Wear parts |
|-----------|------|-----------|---------------------------------|----------|---------|--------------|-----------|------------|
| Ass.      | Part | Available |                                 | Order    | In Pump | AK O         | AK I      |            |
| 820       |      | ◆         | Bypass C/3 complete - FKM       | 1        |         | 306819.00    | 306856.00 |            |
| 820       |      | ◆         | Bypass C/5 complete - FKM       | 1        |         | 306825.00    | -         |            |
|           | 870  | ◆         | Bypass body complete            | 1        |         | 300180.00    | 301635.00 |            |
|           | 812  |           | Plug                            |          | (1)     |              |           |            |
|           | 821  |           | Bypass body                     |          | (1)     |              |           |            |
|           | 822  |           | Seat (construction I)           |          | (1)     |              |           |            |
|           | 848  |           | Seal                            |          | (1)     |              |           |            |
|           | 871  |           | Plug (constructios I)           |          | (2)     |              |           |            |
|           | 872  |           | Seal (construction I)           |          | (2)     |              |           |            |
|           | 824  | ▲         | Spring n°3                      | 1        |         |              | 201190    |            |
|           | 824  | ▲         | Spring n°5                      | 1        |         |              | 201136    |            |
|           | 869  | ◆         | Bypass cap and gasket           | 1        |         |              | 300174.00 |            |
|           | 832  |           | Seal                            |          | (1)     |              |           |            |
|           | 833  |           | Cap                             |          | (1)     |              |           |            |
|           | 878  | ◆         | Centering set                   | 1        |         |              | 300173.00 |            |
|           | 876  |           | Centering piece                 |          | (2)     |              |           |            |
|           | 877  |           | Centering gasket                |          | (2)     |              |           |            |
|           | 897  | ◆         | Adjusting screw/valve set - FKM | 1        |         | 306811.00    | 306842.00 | •          |
|           | 807  |           | Seal                            |          | (1)     |              |           |            |
|           | 825  |           | Spring guide                    |          | (1)     |              |           |            |
|           | 826  |           | Adjusting screw                 |          | (1)     |              |           |            |
|           | 828  |           | Nut                             |          | (1)     |              |           |            |
|           | 829  |           | Spring                          |          | (1)     |              |           |            |
|           | 831  |           | Pin                             |          | (1)     |              |           |            |
|           | 834  |           | Adjustment nut                  |          | (1)     |              |           |            |
|           | 837  |           | Seal                            |          | (1)     |              |           |            |
|           | 864  | ◆         | Complete valve                  | 1        |         | 300182.00    | 301636.00 |            |
|           | 823  |           | Compensated valve               |          | (1)     |              |           |            |
|           | 862  |           | Valve guide rod                 |          | (1)     |              |           |            |
|           | 863  |           | Valve securing pin              |          | (1)     |              |           |            |
|           | 899  | ◆         | Bypass gasket set - FKM         | 1        |         |              | 301631.00 |            |
|           | 807  |           | Seal                            |          | (1)     |              |           |            |
|           | 829  |           | Spring                          |          | (1)     |              |           |            |
|           | 831  |           | Pin                             |          | (1)     |              |           |            |
|           | 832  |           | Seal                            |          | (1)     |              |           |            |
|           | 837  |           | Seal                            |          | (2)     |              |           |            |
|           | 848  |           | Seal                            |          | (1)     |              |           |            |
|           | 877  |           | Centering gasket                |          | (2)     |              |           |            |

(◆) Sets of parts or (▲) parts available to order.



| Reference  |      |           | Description                               | Quantity   |         | Article code |           | Wear parts |
|--|------|-----------|---|--|---------|--------------|-----------|------------|
| Ass.   | Part | Available |   | Order  | In Pump | AK O         | AK I      |            |
| VARIATIONS   |      |           |   |  |         |              |           |            |
|  |      |           | <b>COMPLETE COMPENSATED DOUBLE BYPASS</b> | The body is different to the standard compensated bypass. The other parts are the same but doubled |         |              |           |            |
| 820a   |      | ◆         | <b>Double bypass C/3 complete - FKM</b>   | 1  |         | 306833.00    | 306870.00 |            |
| 820a   |      | ◆         | <b>Double bypass C/3 complete - FKM</b>   | 1  |         | 306839.00    | -         |            |
|  | 870a | ◆         | Double bypass body complete               | 1  |         | 300183.00    | 302432.00 |            |
|  | 821a | ◆         | Double bypass body                        |  | (1)     |              |           |            |
| 849  |      | ◆         | <b>Complete stirrup</b>                   | 1  |         | 301633.01    | 301634.01 |            |
|  | 852  |           | Stirrup                                   |  | (1)     |              |           |            |
|  | 854  |           | Plug                                      |  | (2)     |              |           |            |
|  | 855  |           | Seal                                      |  | (2)     |              |           |            |
| To mount a bypass in place of a stirrup will require : |      |           |   |  |         |              |           |            |
|  | 817  | ◆         | Mounting kit                              | 1  |         | 300121.00    |           |            |
|  | 813  |           | Nut                                       |  | (2)     |              |           |            |
|  | 814  |           | Stud                                      |  | (2)     |              |           |            |
|  | 815  |           | Washer                                    |  | (2)     |              |           |            |

(◆) Sets of parts or (▲) parts available to order.

Keep this parts lists with Installation, Operation and Maintenance Instructions.

To order the required spare parts, indicate the appropriate CUM numbers.



Z.I. la Plaine des Isles - 2 rue des Caillottes F-89000 AUXERRE - FRANCE

Tel : +33 (0)3 86 49 86 30 • Fax : +33 (0)3 86 49 87 17

contact@mouvex.com • www.mouvex.com