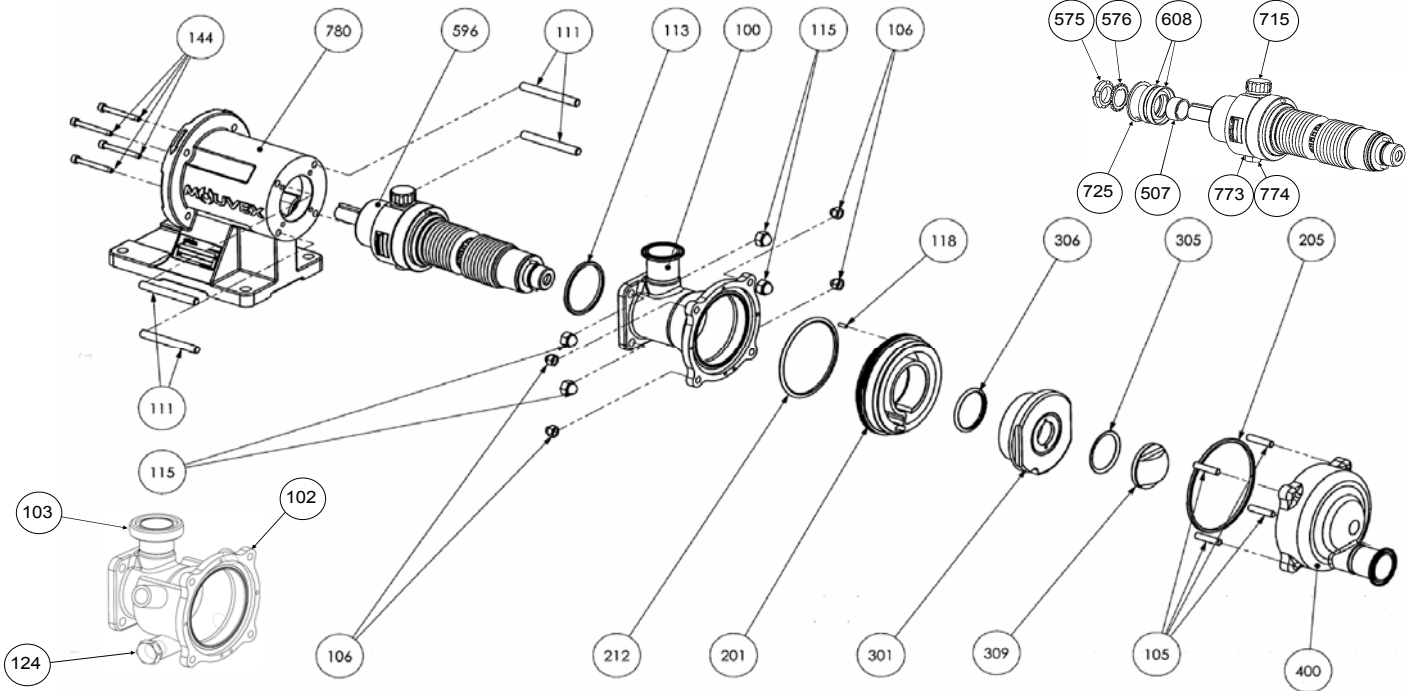


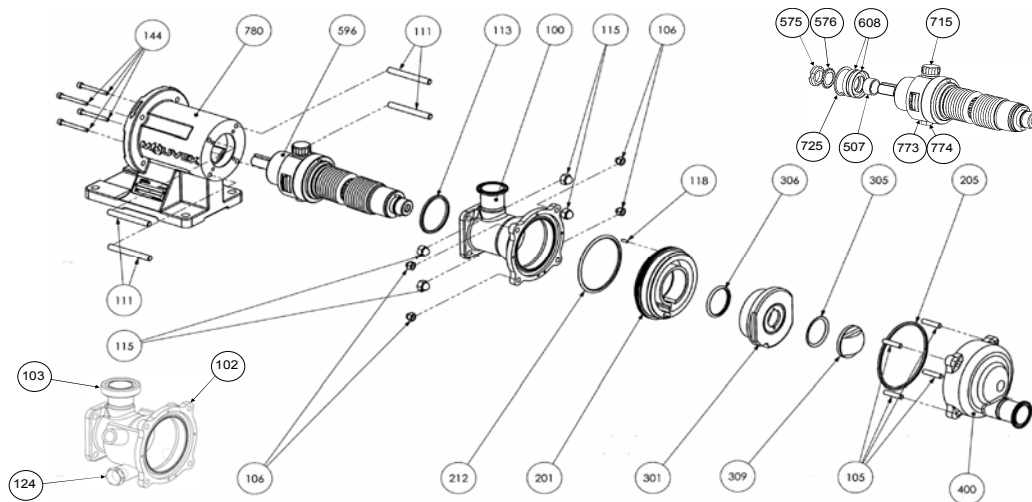
(See Instructions 1004-A00 for Installation, Operation and Maintenance)



Section 1004
Effective September 2010
Replaces April 2010

Reference			Description	Quantity		Article code			Wear parts
Ass.	Part	Available		Order	In Pump	SLC 1	SLC 2	SLC 3	
POLISHED INLET MANIFOLD :									
100		◆	PN16 DN40	1			314857.00		
100		◆	PN20 DN40	1			314855.00		
100		◆	SMS 38	1			314859.00		
100		◆	DIN 40	1			314849.00		
100		◆	CHERRY BURREL 38	1			314844.00		
100		◆	CLAMP ISO 38	1			314853.00		
100		◆	IDF 38	1			314851.00		
100		◆	Smooth Pipes	1			314847.00		
100		◆	ASEPTIK DIN 11864-BF-A DN40	1			314865.00		
100		◆	CS F DN40 VR	1			314861.00		
100		◆	BS4825-5 DN40	1			314863.00		
NOT POLISHED INLET MANIFOLD :									
100		◆	PN16 DN40	1			314856.00		
100		◆	PN20 DN40	1			314854.00		
100		◆	SMS 38	1			314858.00		
100		◆	DIN 40	1			314848.00		
100		◆	CHERRY BURREL 38	1			314843.00		
100		◆	CLAMP ISO 38	1			314852.00		
100		◆	IDF 38	1			314850.00		
100		◆	Smooth Pipes	1			314846.00		
100		◆	ASEPTIK DIN 11864-BF-A DN40	1			314864.00		
100		◆	CS F DN40 VR	1			314860.00		
100		◆	BS4825-5 DN40	1			314852.00		
JACKETED INLET MANIFOLD :									
100		◆	PN16 DN40	1			314922.00		
100		◆	PN20 DN40	1			314921.00		
100		◆	SMS 38	1			314923.00		
100		◆	DIN 40	1			314918.00		
100		◆	CHERRY BURREL 38	1			314916.00		
100		◆	CLAMP ISO 38	1			314920.00		
100		◆	IDF 38	1			314919.00		
100		◆	Smooth Pipes	1			314917.00		
100		◆	ASEPTIK DIN 11864-BF-A DN40	1			314926.00		
100		◆	CS F DN40 VR	1			314924.00		
100		◆	BS4825-5 DN40	1			314925.00		
	102		Inlet tube		(1)				
	103		Connection		(1)				
	124		Plug (with Jacketed Inlet)		(2)				

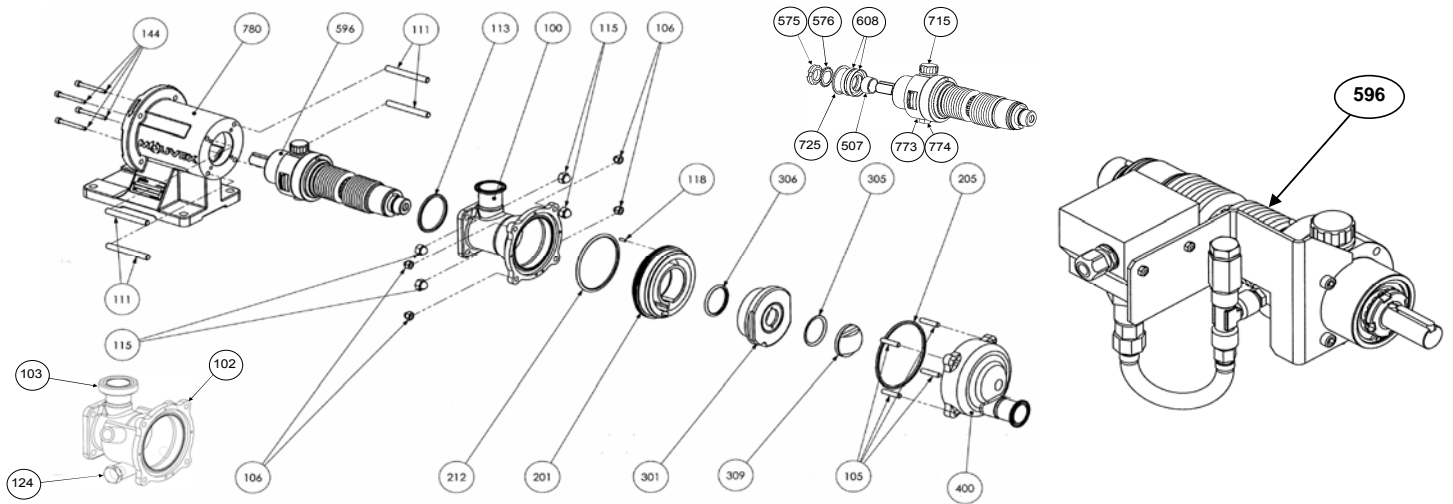
(◆) To order the required spare parts, indicate the appropriate CUM numbers.



Reference			Description	Quantity		Article code			Wear parts
Ass.	Part	Available		Order	In Pump	SLC 1	SLC 2	SLC 3	
119		◆	Set of studs and nuts	1			314798.00		
119		◆	Set of studs and nuts - ATEX pressure switch	1			315276.00		•
	106		Blind nut		(4)				
	105		Stud		(4)				
	115		Blind nut		(4)				
	111		Stud (ATEX pressure switch : Qty 2)		(4)				
	111A		Stud (ATEX pressure switch only)		(2)				
200		◆	Set cylinder/Piston	1		314814.01	314815.01	314816.01	•
	201		Cylinder		(1)				
	118		Pin		(1)				
	301		Piston		(1)				
	309	▲	Piston screw	1			226535		
206		◆	Set of FKM 'O' ring seals	1			314820.00		•
206		◆	Set of CVT 'O' ring seals	1			314821.00		•
	113		Seal		(1)				
	205		Seal Ring		(1)				
	212		Seal		(1)				
	305		Seal		(1)				
	306		Seal		(1)				
400		◆	POLISHED FRONT COVER :						
400		◆	PN16 DN40	1			314879.00		
400		◆	PN20 DN40	1			314877.00		
400		◆	SMS 38	1			314881.00		
400		◆	DIN 40	1			314871.00		
400		◆	CHERRY BURREL 38	1			314867.00		
400		◆	CLAMP ISO 38	1			314875.00		
400		◆	IDF 38	1			314873.00		
400		◆	Smooth pipes	1			314869.00		
400		◆	ASEPTIK DIN 11864-BF-A DN40	1			314887.00		
400		◆	CS F DN40 VR	1			314883.00		
400		◆	BS4825-5 DN40	1			314885.00		
400		◆	NOT POLISHED FRONT COVER :						
400		◆	PN16 DN40	1			314878.00		
400		◆	PN20 DN40	1			314876.00		
400		◆	SMS 38	1			314880.00		
400		◆	DIN 40	1			314870.00		
400		◆	CHERRY BURREL 38	1			314866.00		
400		◆	CLAMP ISO 38	1			314874.00		
400		◆	IDF 38	1			314872.00		
400		◆	Smooth pipes	1			314868.00		
400		◆	ASEPTIK DIN 11864-BF-A DN40	1			314886.00		
400		◆	CS F DN40 VR	1			314882.00		
400		◆	BS4825-5 DN40	1			314884.00		
	405		Front cover plate		(1)				
	404		Front cover connection		(1)				

CVT : FEP encapsulated FKM ; FDA : Food and Drug Administration (21 CFR 177 2600)

(◆) To order the required spare parts, indicate the appropriate CUM numbers.



Reference			Description	Quantity		Article code			Wear parts
Ass.	Part	Available		Order	In Pump	SLC 1	SLC 2	SLC 3	
			COMPLETE TRANSMISSION :						
596		◆	without Bellows monitoring system	1			314797.00		
596		◆	with Pressure switch bellows monitoring system	1			314817.00		
596		◆	with ATEX pressure switch bellows monitoring system	1			315275.00		
596		◆	with Pressure gauge bellows monitoring system	1			314819.00		
9		◆	Bearing gaskets / screws set	1			315025.00		•
	507		Ring		(1)				
	725		Circlip		(1)				
	608		Lip seal		(2)				
	575		Nut		(1)				
	576		Washer		(1)				
8		◆	Plugs set	1			311441.00		
	715		Breather		(1)				
	773		Drain plug		(1)				
	774		Seal		(1)				
16		◆	Lantern screws set				315026.00		
16		◆	Bended bracket screws set				315286.00		
	144		Screw		(4)				

CVT : FEP encapsulated FKM ; FDA : Food and Drug Administration (21 CFR 177 2600)

(◆) To order the required spare parts, indicate the appropriate CUM numbers.

Keep this parts lists with Installation, Operation and Maintenance Instructions.

CVT : FEP encapsulated FKM



Z.I. la Plaine des Isles - 2 rue des Caillottes F-89000 AUXERRE - France
 Tel : +33 (0)3 86 49 86 30 • Fax : +33 (0)3 86 49 87 17
 contact@mouvex.com • www.mouvex.com