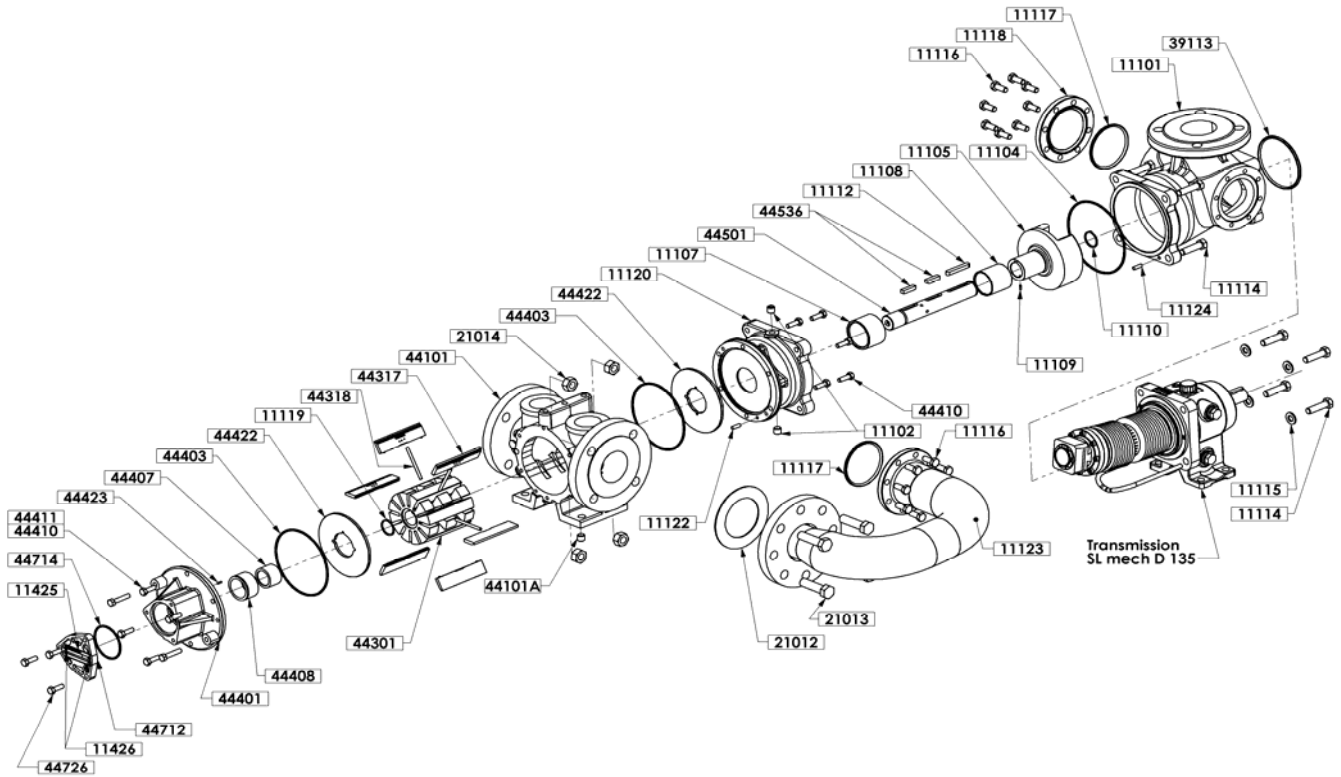
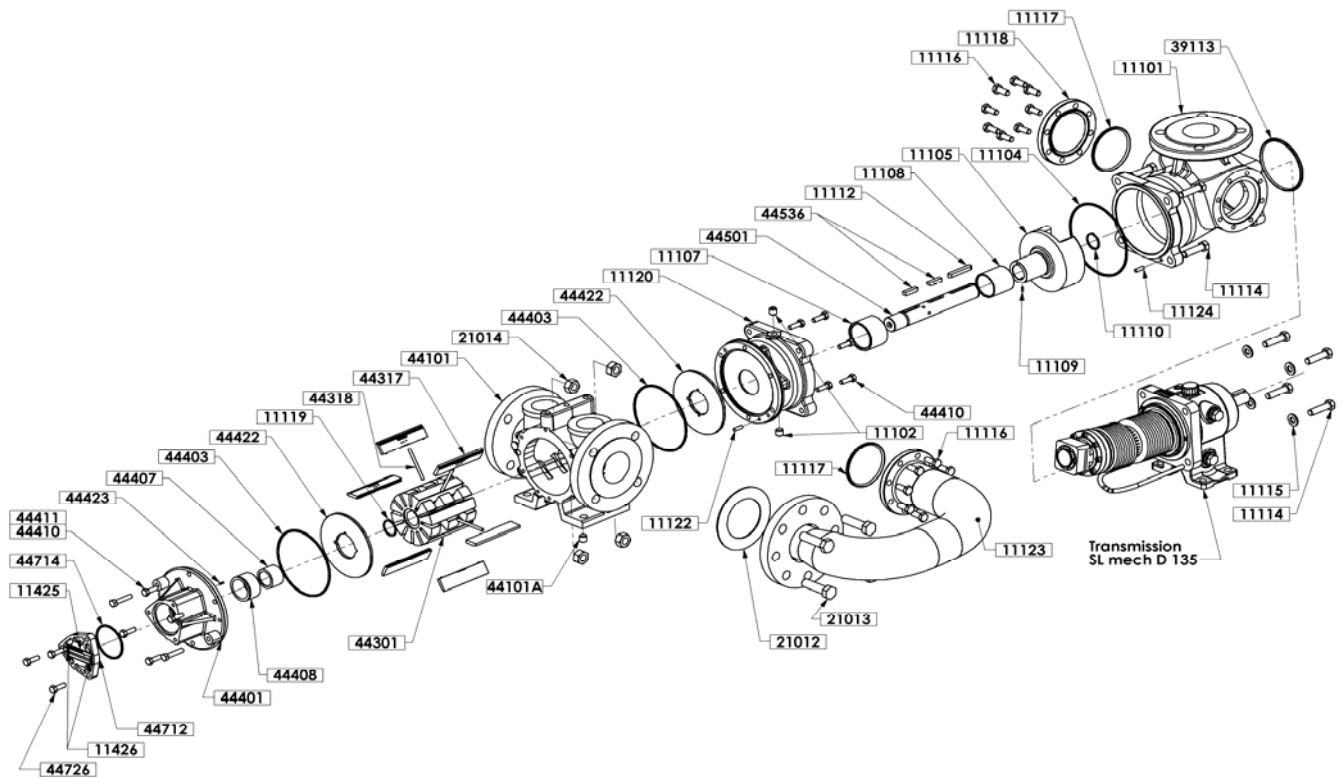


(See Instructions **1007-A00** for Installation, Operation and Maintenance)

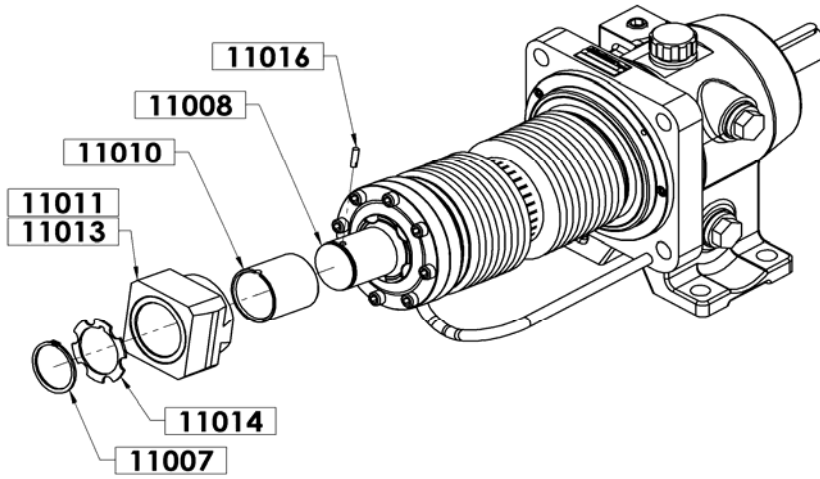
Section	1007
Effective	October 2010
Replaces	March 2010



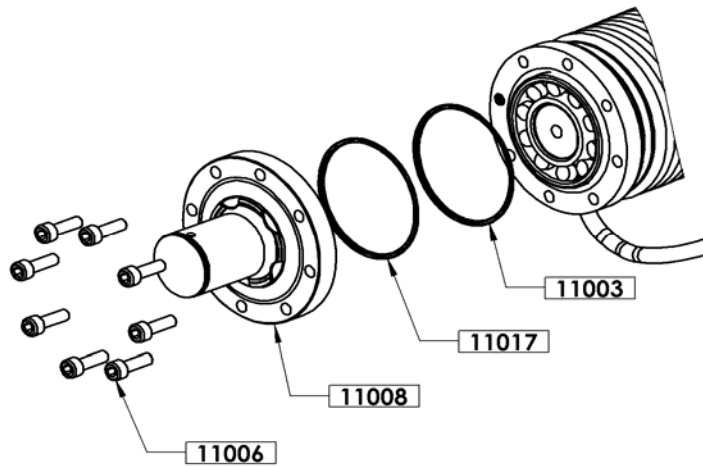
Reference			Description	Quantity		Article code	Wear parts
Ass.	Part	Available		In Pump	0	SLP25 i	
11098		◆	<b>Full set of pump screws</b>	1		315266.00	
	11114		Screw		(8)		
	11115		Washer		(4)		
	11116		Screw		(16)		
	21013		Screw		(4)		
	21014		Nut		(4)		
	44410		Screw		(10)		
	44411		Screw		(2)		
	44726		Screw		(3)		
44099		◆	<b>Set of pump seals - CVT</b>	1		315262.00	•
	11003		Seal (transmission)		(1)		
	11017		Seal (transmission)		(1)		
	11104		Seal		(1)		
	11117		Seal		(2)		
	21012		Seal		(1)		
	39113		Seal		(1)		
	44403		Seal		(2)		
	44714		Seal		(1)		
	44101	▲	Body	1		214330	
	44301	▲	Rotor	1		214331	
44309		◆	<b>Set of vanes - TVP</b>	1		315257.00	•
44309		◆	<b>Set of vanes - TVP TR</b>	1		315258.00	•
	44317		Vane		(6)		
44325		◆	<b>Set of pushrods</b>	1		315260.00	•
	44318		Pushrod		(3)		
11100		◆	<b>SLP adaptation kit - SL MECH D135</b>	1		315245.01	
	11101		Main body SL MECH		(1)		
	11107		Bushing		(1)		
	11118		Flange		(1)		
	11120		Adaptation base		(1)		
	11122		Pin		(1)		
	11123		Connecting tube		(1)		
	11124		Pin		(1)		
	44423A		Pin		(1)		



Reference			Description	Quantity		Article code	Wear parts
Ass.	Part	Available		In Pump	0	SLP25 i	
11400	44401 44407 44408 44423	◆	<b>Complete front cover</b> Front cover Bushing Insert Pin	1	(1) (1) (1) (1)	315261.00	
44420	11011 11107 44407	◆	<b>Set of carbon bushings</b> Bushing Bushing Bushing	1	(1) (1) (1)	315335.00	•
44424	44422	◆	<b>Set of carbon discs</b> Front cover disc	1	(2)	315263.00	•
44500 44500	11010 11105 11108 11109 11112 11119 44501 44536	◆ ◆	<b>Drive/shaft complete for pump without pushrods</b> <b>Drive/shaft complete for pump with pushrods</b> Bushing Drive Bushing Pin Key Circlip Shaft Key (Qty : 2 for pump with pushrods)	1 1	(1) (1) (1) (1) (1) (1) (1) (1)	315264.00 315265.00	
	44712	▲	Front cover cover	1		214336	

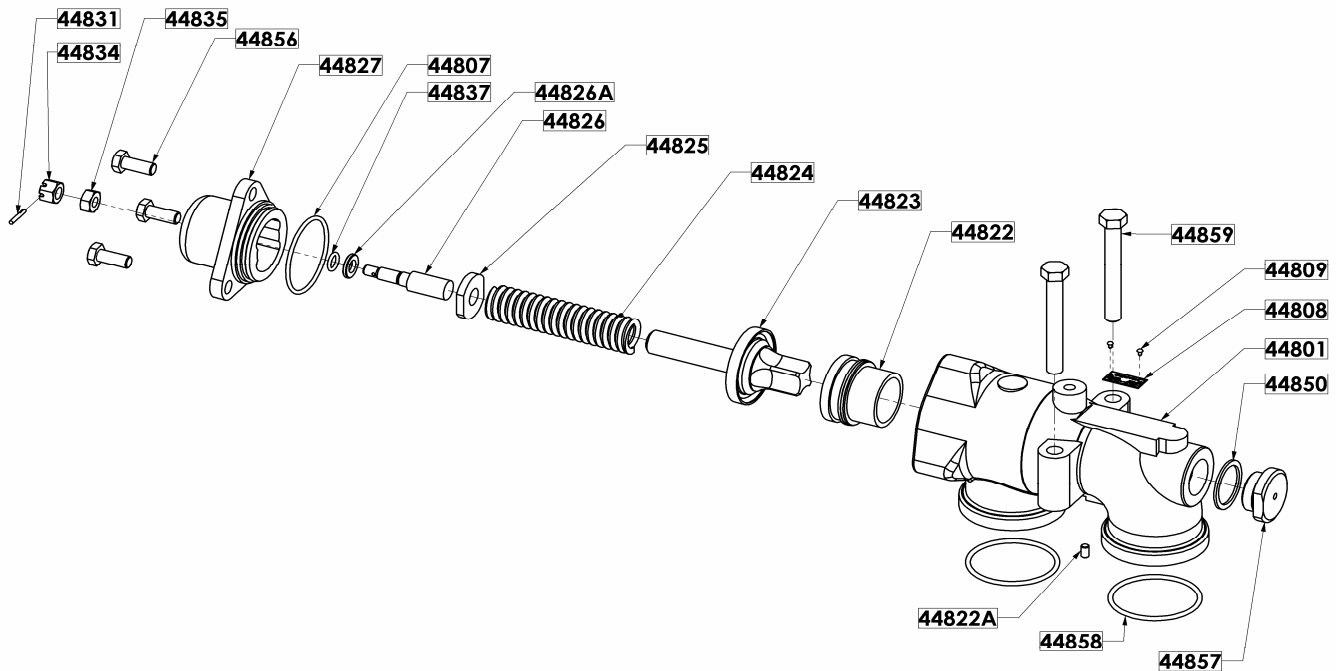


Reference			Description	Quantity		Article code	Wear parts
Ass.	Part	Available		In Pump	0	SLP25 i	
11099		◆	<b>Square driver hub and square bushing kit</b>	1		315037.00	
	11007		Circlip		(1)		
	11008		Square driver hub		(1)		
	11010		Bushing		(1)		
	11011		Bushing		(1)		
	11013		Square bushing		(1)		
	11014		Flange		(1)		
	11016		Pin		(1)		

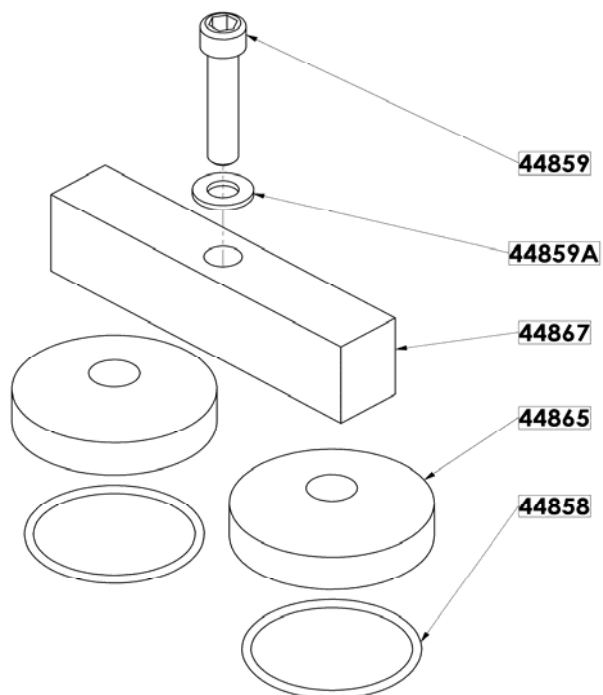


Seal 11003 See assembly 44099  
 Seal 11017 See assembly 44099

Reference			Description	Quantity		Article code	Wear parts
Ass.	Part	Available		In Pump	0	SLP25 i	
	11008	▲	Square driver hub	1		226822	
11097		◆	<b>Full set of square driver hub screws</b>	1		315336.00	
	11006		Screw		(8)		



Reference			Description	Quantity		Article code	Wear parts
Ass.	Part	Available		In Pump	0	SLP25 i	
44820		◆	<b>Single bypass, complete - CVT</b>	1		315268.00	
	44822		Seat		(1)		
	44808		Bypass orientation plate		(1)		
	44809		Plate rivet		(2)		
	44822A		Screw		(1)		
	44801		Bypass body		(1)		
	44823	▲	Valve	1		219066	
	44827		Cap		(1)		
	44858		Seal		(2)		
	44859		Screw		(2)		
	44826A		Washer		(1)		
	44898	◆	<b>Pressure screw assembly - CVT</b>	1		315267.00	
	44807		Seal		(1)		
	44825		Spring guide		(1)		
	44826		Pressure screw		(1)		
	44831		Pin		(1)		
	44834		Gasket		(1)		
	44835		Gasket		(1)		
	44837		Seal		(1)		
	44856		Screw		(3)		
	44824	▲	2/4 bar spring	1		214367	
	44824	▲	4/7 bar spring	1		215298	
	44824	▲	7/12 bar spring	1		215299	
44866		◆	<b>Complete plug</b>	1		315270.00	
	44850		Seal		(1)		
	44857		Plug		(1)		
44899		◆	<b>Set of bypass seals - CVT</b>	1		315333.00	
	44807		Seal		(1)		
	44837		Seal		(1)		
	44850		Seal		(1)		
	44858		Seal		(2)		



Reference			Description	Quantity		Article code	Wear parts
Ass.	Part	Available		In Pump	0	SLP25 i	
<b>44868</b>		◆	<b>Complete stirrup - CVT</b>	1		<b>315269.00</b>	
	44858		Seal		(2)		
	44859		Screw		(1)		
	44859A		Washer		(1)		
	44865		Plug		(2)		
	44867		Stirrup		(1)		
<b>44899A</b>		◆	<b>Set of seals for stirrup - CVT</b>	1		<b>315334.00</b>	
	44858	▲	Seal		(2)	215301	

(◆) To order the required spare parts, indicate the appropriate CUM numbers.

Keep this parts lists with Installation, Operation and Maintenance Instructions.

CVT : FEP encapsulated FKM



Z.I. la Plaine des Isles - 2 rue des Caillottes F-89000 AUXERRE - France

Tel : +33 (0)3 86 49 86 30 • Fax : +33 (0)3 86 49 87 17

contact@mouvex.com • www.mouvex.com