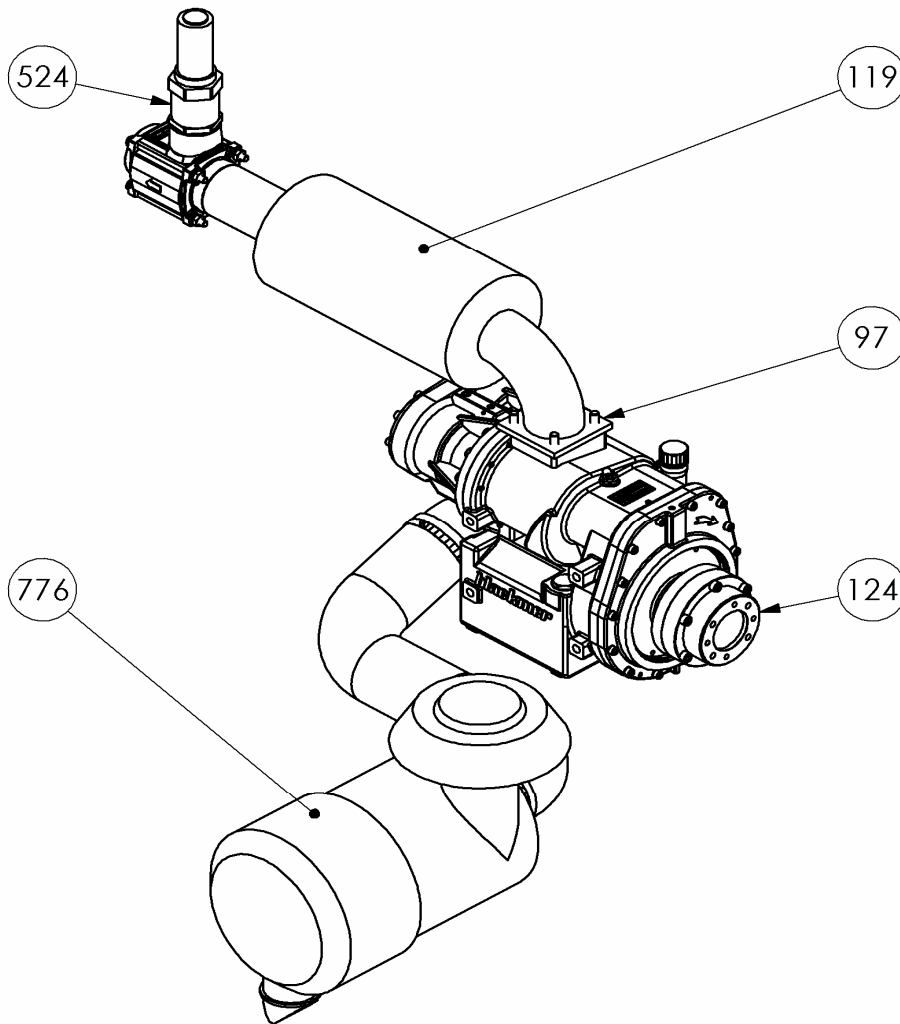
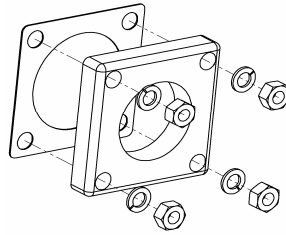
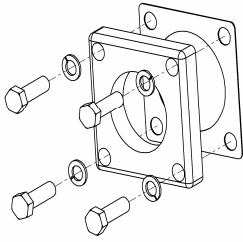


Section	1401
Effective	March 2008
Replaces	New



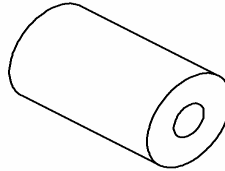
Reference Ass.	Description	Quantity Order
97	Discharge port flanges	1
119	Silencer	1
124	Torque limiter kit	1
524	Check and Relief Valve	1
776	Suction filter assemblies	1

97 - Discharge port, flanges, gasket and fixings



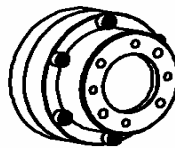
Reference Ass.	Description	Quantity Order	ARTICLE CODE
97	Discharge port, flanges and fixings		
	With gasket	1	310874.00
	With nuts	1	312168.00

119 - Silencer



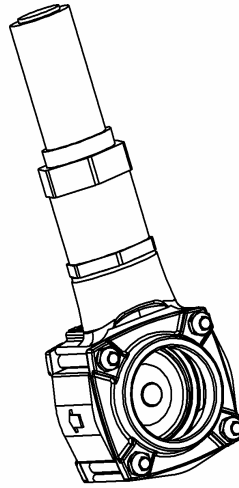
Reference Ass.	Description	Quantity Order	ARTICLE CODE
119	Stainless steel Silencer	1	225284

124 - Torque limiter kit



Reference Ass.	Description	Quantity Order	ARTICLE CODE
124	610 Nm	1	311258.01
	750 Nm (for Typhon + reverser 1:1,5)	1	313488.00
	950 Nm	1	312548.01

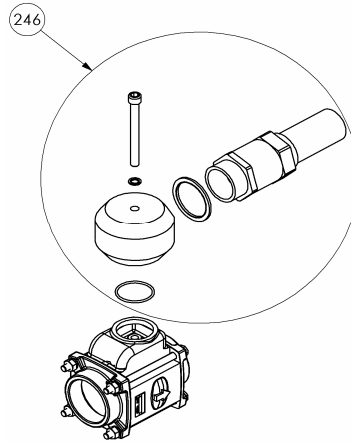
524 - Check and Relief Valve



Reference Ass.	Description	Quantity Order	ARTICLE CODE
524	3" 2,0 bar	1	516299.04
	2,3 bar	1	516297.04
	2,5 bar	1	516301.04
	2,5" 2,0 bar	1	516298.04
	2,3 bar	1	516296.04
	2,5 bar	1	516300.04

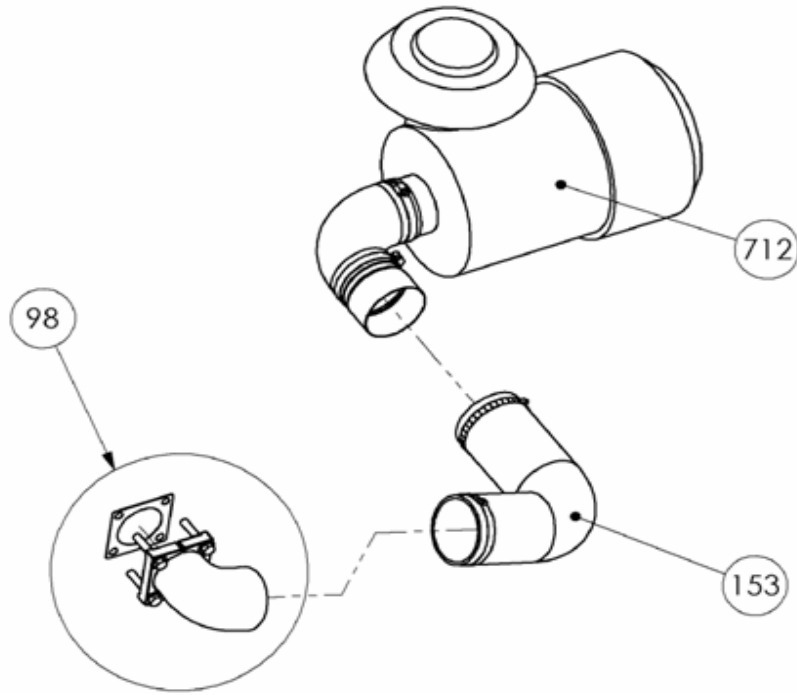
246 - Retrofit kits for previous design

(relief valve HEROSE 1000 m³/h 2" with adapter)



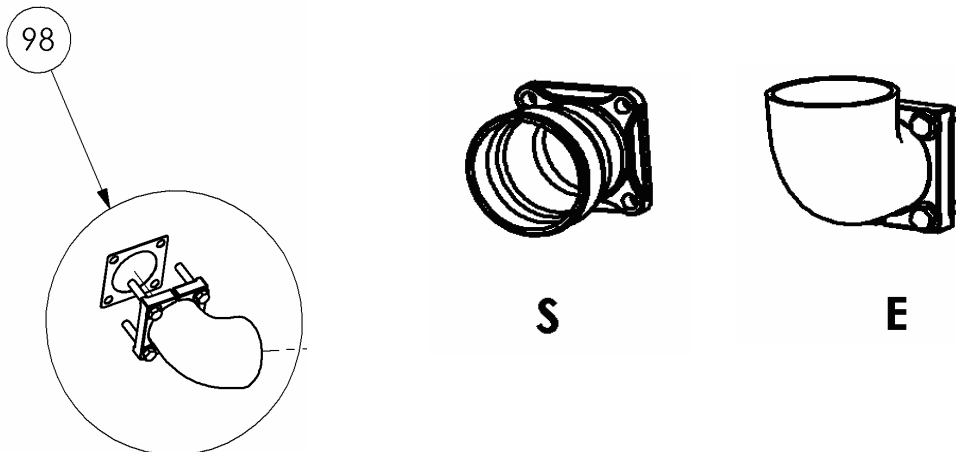
Reference Ass.	Description	Quantity Order	ARTICLE CODE
246	1000 m ³ /h 2" 2,0 bar	1	314141.00
	2,3 bar	1	314136.00
	2,5 bar	1	314137.00

776 - Suction filter assemblies



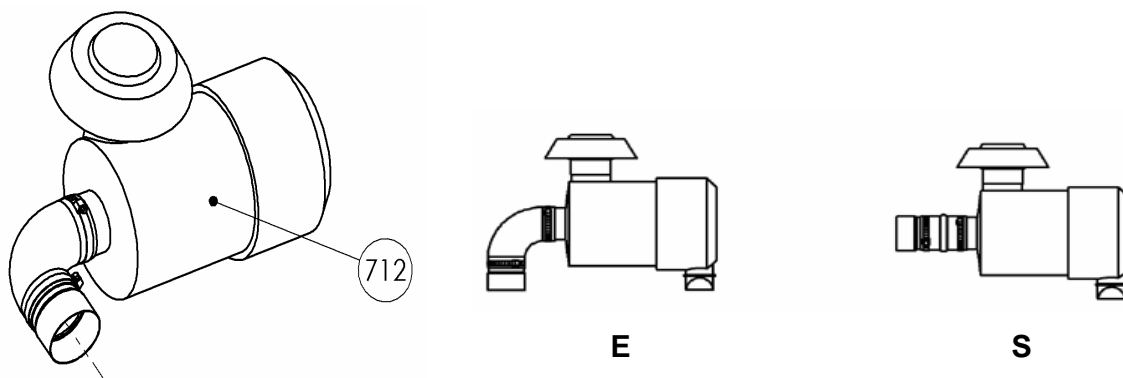
Reference		Description	Quantity Order	ARTICLE CODE
Ass.	Part			
776		Suction filter assemblies	1	
	98	Compressor suction port, flanges	1	See 98
	153	Connection kit between compressor suction FC7, FC10 and FC15 - flexible pipe with clamps	1	313689.00
	712	Filter	1	See 712

98 - Compressor suction port flanges



Reference Ass.	Description	Quantity Order	ARTICLE CODE
98	Compressor suction port, flanges, gasket and fixings		
	S - Straight		
	TYPHON / TYPHON II / B1500	1	313693.00
	MISTRAL / B600	1	312169.01
	E - Elbow		
	TYPHON / TYPHON II / B1500	1	313687.00
	MISTRAL / B600	1	313688.00

712 - Filter



Reference Ass.	Description	Quantity Order	ARTICLE CODE
712	S - Straight Suction		
	FC7-S	1	313690.00
	FC10-S	1	313692.00
	FC15-S	1	314125.00
	E - Elbow suction		
	FC7-E	1	313691.00
	FC10-E	1	313694.00
	FC15-E	1	314126.00

To order the required spare parts, indicate the appropriate CUM numbers.

ZI la Plaine des Isles - 2 Rue des Caillottes 89000 AUXERRE - FRANCE
 Tél. : +33 3.86.49.86.40 or +33 3 86.49.87.09 - Fax : +33 3.86.49.87.17
 E-Mail : contact@blackmer-mouvex.com Internet : www.blackmer.com