

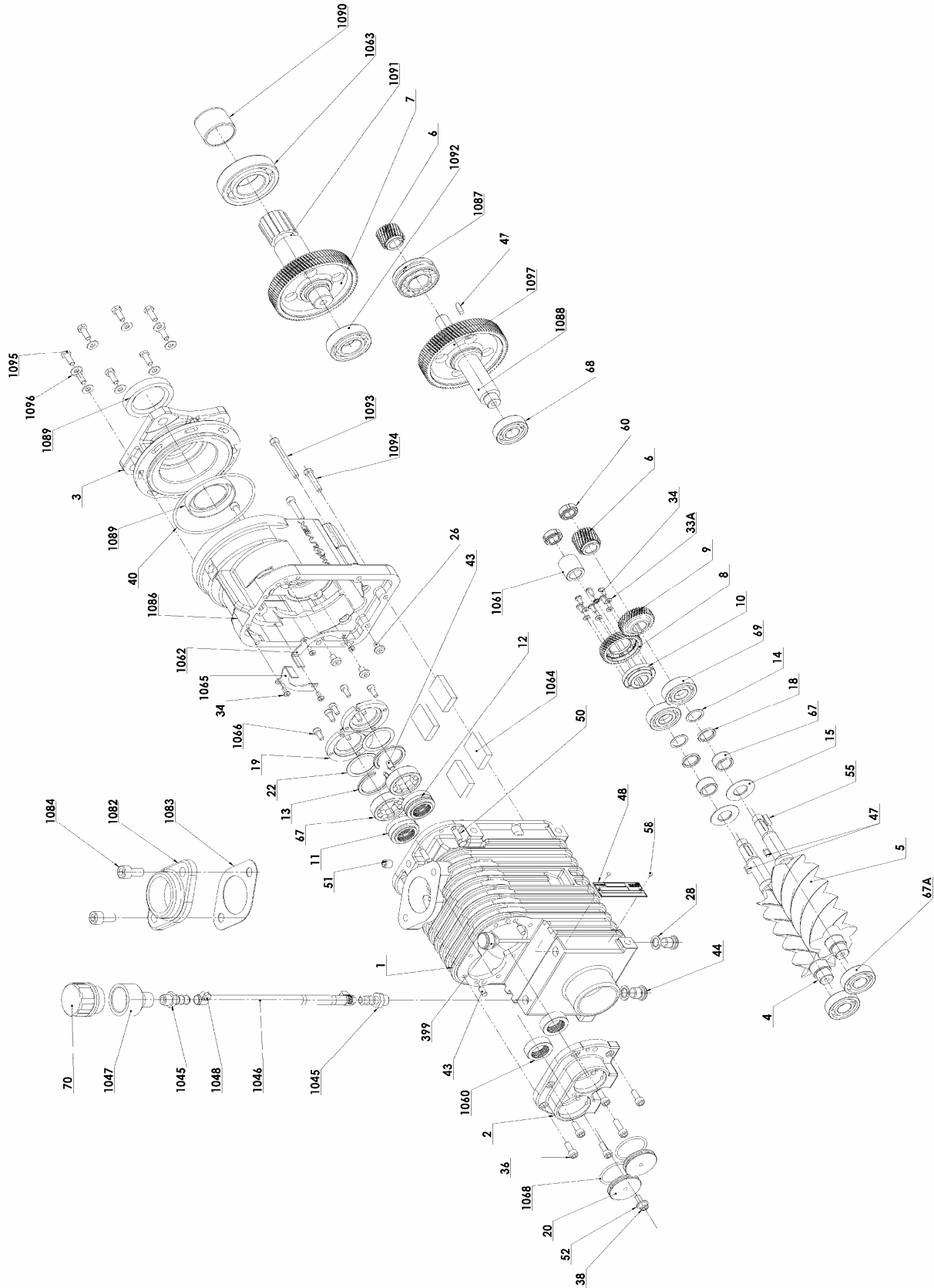
MOUVEX
MODEL :

PARTS LIST
B200

PL : 1401-X01

Section	1401
Effective	June 2011
Replaces	May 2011

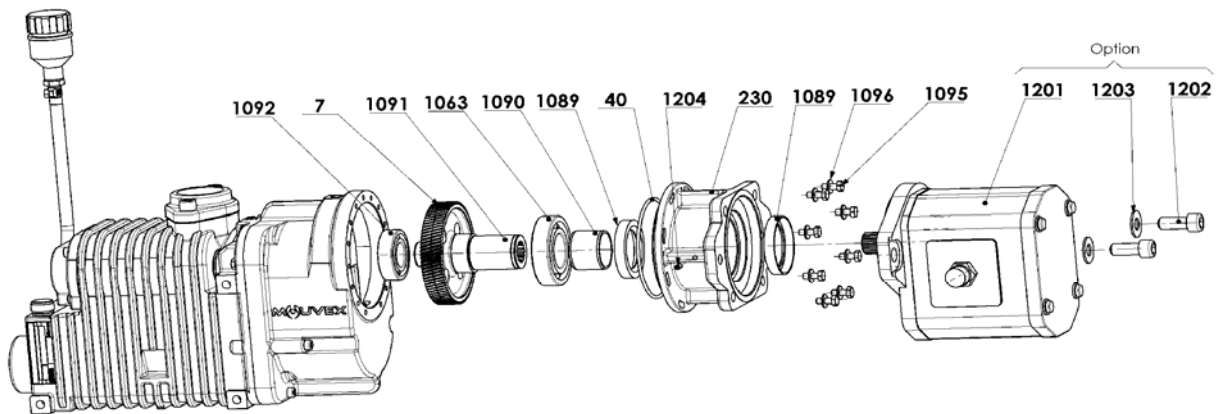
(See Instructions 1401-X00 for Installation, Operation and Maintenance)



PF & PS VERSIONS

Article code	Description	Quantity	Reference	Wear parts	Notes
	Casing	1	1		
	Bearing box	1	2		
	Cover	1	3		
	Female Screw	1	4		
	Male Screw	1	5		
	Gear 22 teeth	2	6		
	Gear 89 teeth	1	7		See 1071
	42 teeth gear	1	8		
	35 teeth gear	1	9		
	Synchronization washer	1	10		
	Brass seal	1	11		
	Brass seal	1	12		
	Ring	2	13		
	Shim	2	14		
	Ring	2	15		
	Spacer	2	18		
	Bearing flange	2	19		
	Plug	2	20		
	Shim	2	22		
	Screw	3	26		
	Seal	2	28		See 1073
	Washer	6	33A		
	Screw	10	34		
	Screw	6	36		
	Screw	1	38		
	O'ring	1	40		See 1071/1073
	Pin	4	43		
	Drain plug	2	44		
	Key	2	47		
	Serial number plate	1	48		
	Screw	4	50		
	Plug	1	51		
	Washer	1	52		
	Key	2	55		
	Rivet	2	58		
	Nut	2	60		
	Roller bearing	2	67		
	Ball bearing	2	67A		
	Ball bearing	1	68		
	Thrust ball bearing	2	69		
	Breather	1	70		See 1072
227514	Discharge pressure hose (low noise) (supplied only with B200 PF version)	1	202	X	▲
	Plug with oil gauge	1	399		
	Nipple	2	1045		See 1072
	Hose	1	1046		See 1072
	Connection	1	1047		See 1072
	Hose clip	2	1048		See 1072
	Brass seal	2	1060		
	Spacer	1	1061		
	Right plate	1	1062		
	Ball bearing	1	1063		See 1071
	Magnet	4	1064		
	Left plate	1	1065		
	Screw	8	1066		
	O'ring	2	1068		See 1073
315357.00	Mounting kit (supplied only with B200 PF version) ■	1	1078	X	◆

Article code	Description	Quantity	Reference	Wear parts	Notes
	Flange	1	1082		
	Seal	1	1083		See 1073
	Screw	2	1084		
	Multiplier casing	1	1086		
	Roller bearing	1	1087		
	Secondary shaft	1	1088		
	Lip seal	2	1089	X	See 1071/1073
	Sleeve	1	1090	X	See 1071
	Male splined / Keyed shaft	1	1091		See 1071
	Ball bearing	1	1092		See 1071
	Screw	2	1093		
	Screw	2	1094		
	Screw	8	1095		
	Washer	8	1096		
	Gear 89 teeth	1	1097		



HYDRAULIC VERSION (HY)

Article code	Description	Quantity	Reference	Wear parts	Notes
	Gear 89 teeth	1	7		See 1071
	O'ring	1	40		See 1071/1073
	Lantern	1	230		
	Ball bearing	1	1063		See 1071
	Lip seal	2	1089	X	See 1071/1073
	Sleeve	1	1090	X	See 1071
	Female splined shaft	1	1091		See 1071
	Ball bearing	1	1092		See 1071
	Screw	8	1095		
	Washer	8	1096		
	Screw	1	1204		
315375.00	HYDRAULIC MOTOR ASSEMBLY	1		X	◆
	Hydraulic motor 50 cc (1)	1	1201		
	Screw	2	1202		
	Washer	2	1203		

(1) Inlet flange 3/4" BSP, outlet flange 1" BSP.

SPARE PARTS KITS

Article code	Description	Quantity	Reference	Wear parts	Notes
315323.00	COMPLETE BREATHER B200	1	1072		◆
	Breather	1	70		
	Nipple	2	1045		
	Hose	1	1046		
	Connection	1	1047		
	Hose clip	2	1048		

315322.00	COMPLETE MALE SPLINED SHAFT (PF) ■	1	1071	X	◆
315356.00	COMPLETE MALE KEYED SHAFT (PS)	1	1077		◆
315345.00	COMPLETE FEMALE HYDRAULIC SHAFT (HY)	1	1076		◆
	Gear 89 teeth	1	7		
	O'ring	1	40		
	Ball bearing	1	1063		
	Lip seal	2	1089	X	
	Sleeve	1	1090	X	
	Male splined / Keyed - Female splined shaft	1	1091		
	Ball bearing	1	1092		

315408.00	TORQUE LIMITER 400 Nm (PS) ■	1	124	X	◆
------------------	-------------------------------------	---	-----	---	---

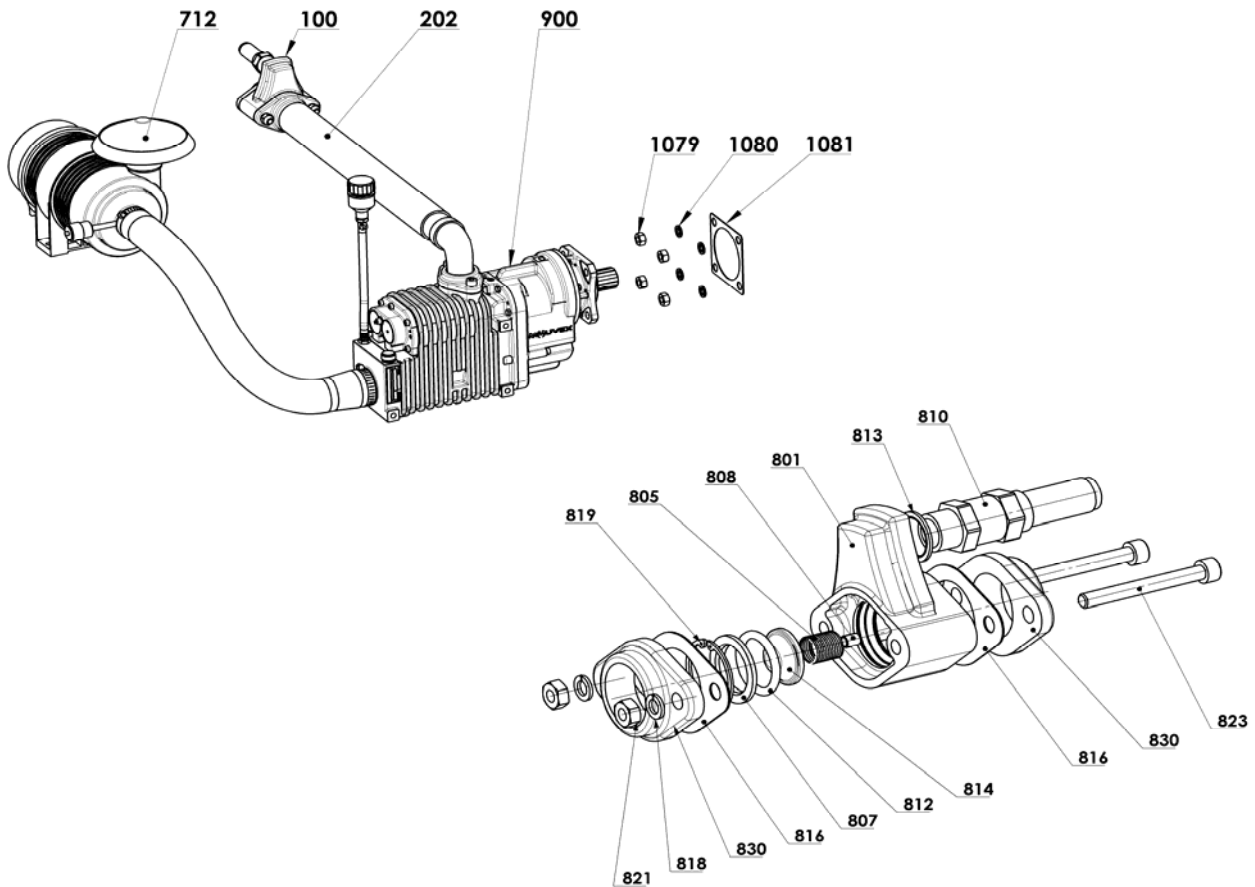
315324.00	SET OF SEALS FOR COMPRESSOR ■	1	1073		◆
	Seal	2	28		
	O'ring	1	40		
	O'ring	2	1068		
	Seal	1	1083		
	Lip seal	2	1089		

315394.00	BSC2 OIL - Can 1,2 l ■	1			◆
315396.00	BSC2 OIL - Can 5 l	1			◆
315397.00	BSC2 OIL - Can 10 l	1			◆

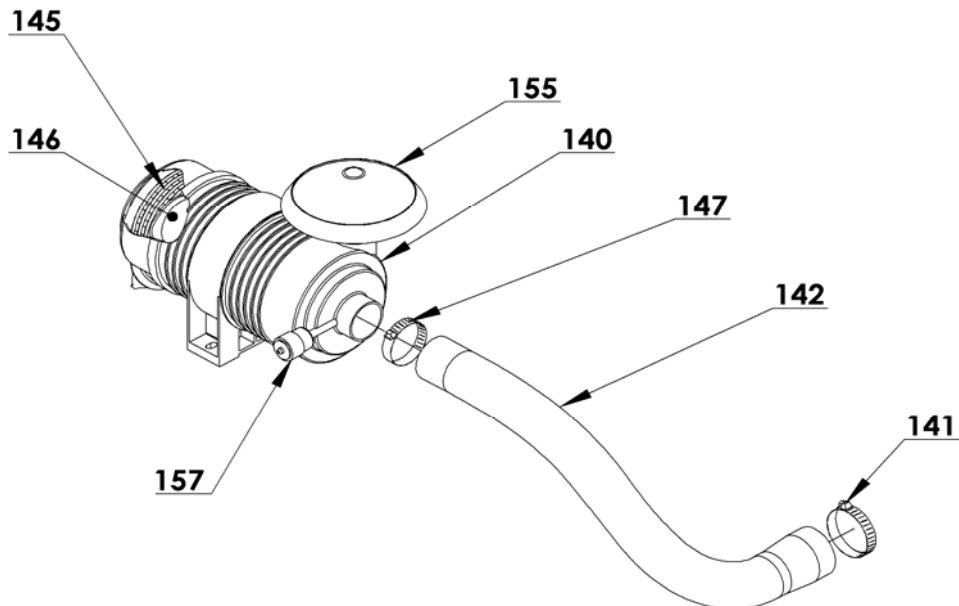
CONVERSION KITS

Article code	Description	Quantity	Reference	Wear parts	Notes
315425.00	KIT B200 PS ■ (3+7+40+1063+1089+1090+1091+1092+1095+1096)	1			◆
315426.00	KIT B200 HY ■ (7+40+230+1024+1063+1089+1090+1091+1092+1095+1096)	1			◆
315427.00	KIT B200 PF ■ (3+7+40+1063+1089+1090+1091+1092+1095+1096)	1			◆

ACCESSORIES



Article code	Description	Quantity	Reference	Wear parts	Notes
227514	Discharge pressure hose (low noise) (supplied only with B200 PF version)	1	202	X	▲
315357.00	MOUNTING KIT B200 (1079 + 1080 +1081) ■	1	1078	X	◆
517835.00	CHECK RELIEF VALVE 2 bar ■	1	100		◆
517834.00	CHECK RELIEF VALVE 2,5 bar ■	1	100		◆
	Body	1	801		
	Spring	1	805		
	Washer	1	807		
	Adaptor	1	808		
	Relief valve (2 bar or 2,5 bar)	1	810		See 1074/1075
	Seal	1	812		
	Seal	1	813		See 1074/1075/1098
	Valve	1	814		
	Seal	2	816		See 1098
	Washer	2	818		
	Circlips	1	819		
	Nut	2	821		
	Screw	2	823		
	Flange	2	830		
315325.00	COMPLETE RELIEF VALVE 2 bar	1	1074		◆
315326.00	COMPLETE RELIEF VALVE 2,5 bar	1	1075		◆
	Relief valve	1	810		
	Seal	1	813		
315373.00	SET OF SEALS FOR CHECK RELIEF VALVE	1	1098		◆
	Seal	1	813		
	Seal	2	816		



Article code	Description	Quantity	Reference	Wear parts	Notes
313097.00	COMPLETE INLET FILTER	1	712		◆
	Hose clip	1	141		
220638	Flexible hose ■	1	142	X	▲
220669	Filter element ■	1	145	X	▲
215638	Safety element	1	146	X	▲
	Hose clip	1	147		
	Rain cap	1	155		
215658	Restriction indicator ■	1	157		▲
310634.01	FILTER UNIT (145 + 146 + 155 + 157)	1	140		◆

- (■) Recommended parts to have on stock
- (◆) Sets of parts sold only in a kit or (▲) parts available to order.

Keep this parts lists with Installation, Operation and Maintenance Instructions.
To order the required spare parts, indicate the appropriate CUM numbers.



Z.I. la Plaine des Isles - 2 rue des Caillottes F-89000 AUXERRE - France
Tél : +33 (0)3 86 49 86 30 • Fax : +33 (0)3 86 49 87 17
contact@mouvex.com • www.mouvex.com