

MOUVEX

MODEL :

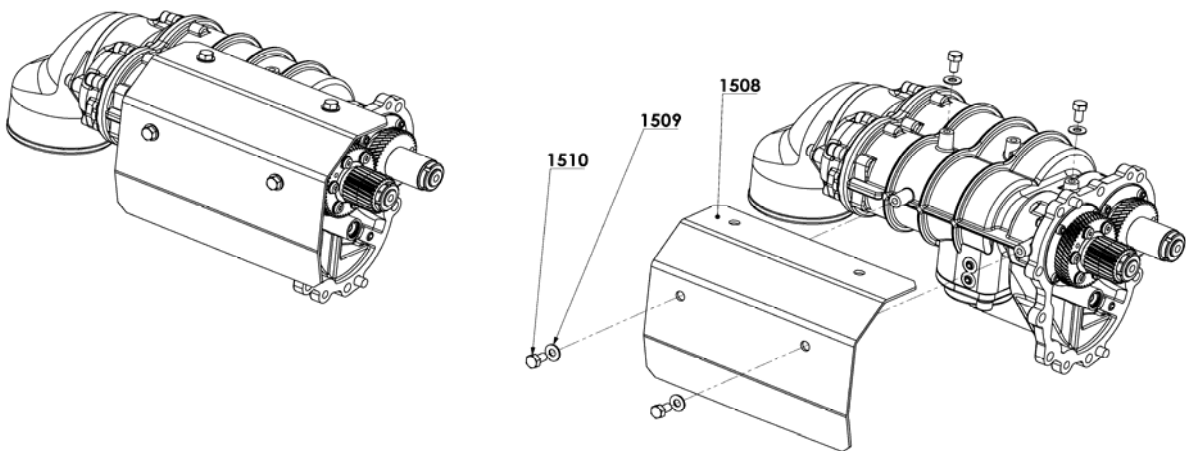
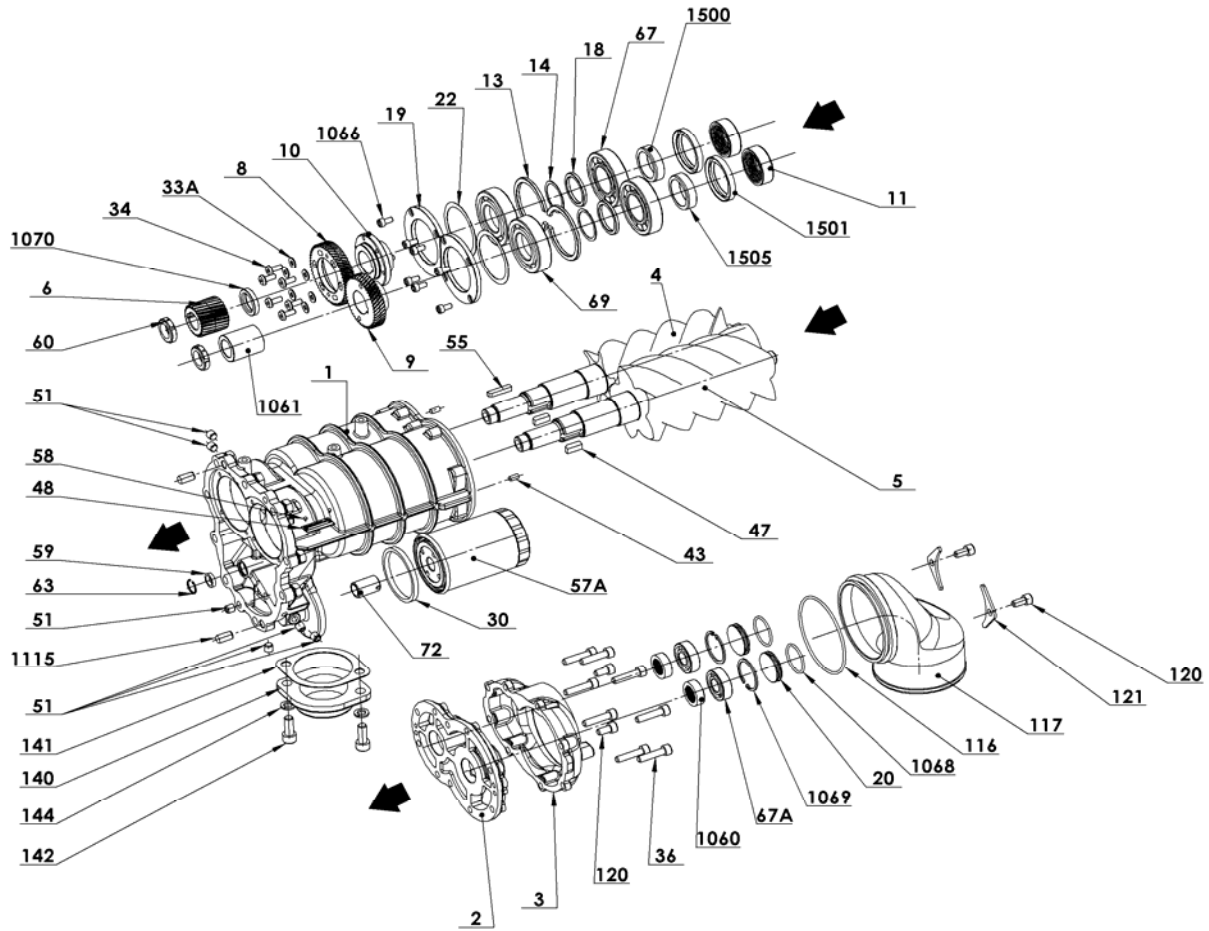
PARTS LIST

MH6

PL : 1401-Z01

Section	1401
Effective	November 2011
Replaces	June 2011

(See Instructions 1401-Z00 for Installation, Operation and Maintenance)



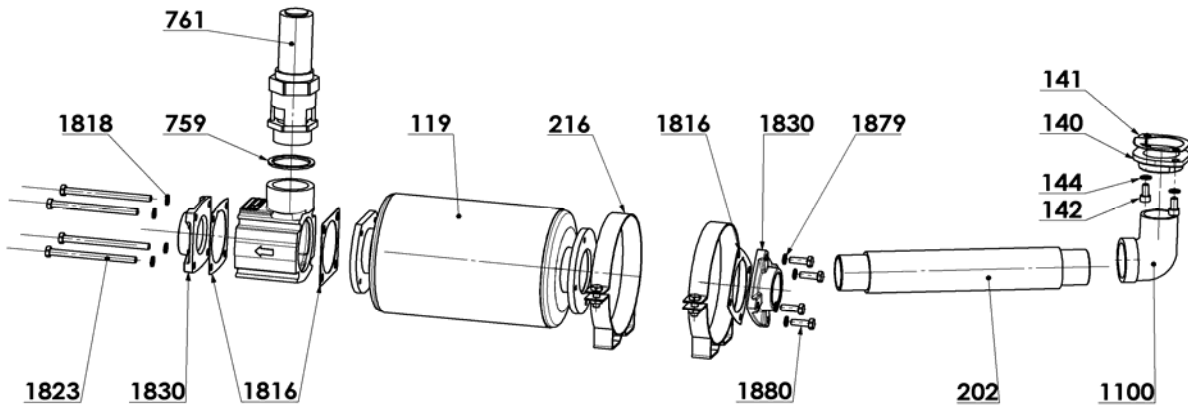
COMPRESSOR MH6 N

Article code	Description	Quantity	Reference	Wear parts	Notes
	Casing	1	1		
	Bearing box	1	2		
	Suction cover	1	3		
	Synchronization ring	1	10		
	Bronze seal	2	11		
	Ring	2	13		
	Set of shims	2	14		
	Spacer	2	18		
	Bearing flange	2	19		
	Plug	2	20		
	Set of shims	2	22		
	Washer M6	6	33A		
	Capscrew BHC M6X16	6	34		
	Capscrew CHC M8X35	8	36		
	Pin	2	43		
	Key	2	47		
	Serial number plate	1	48		
	Plug	4	51		
227442	Casing gasket (between compressor and PTO) ■	1	Not shown		▲
315432.00	OIL FILTER ASSEMBLY ■	1	57	X	◆
	Oil filter gasket	1	30		See 57
	Oil filter	1	57A		See 57
	Rivet	2	58		
	Lip seal	1	59	X	
	Circlips	1	63		
	Roll bearing	2	67		
	Ball bearing	2	67A		
	Thrust ball bearing	2	69		
	Oil filter tube	1	72		
	O'ring	1	116		
227205	Suction elbow 45° ■	1	117		▲
227015	Suction elbow 90° ■	1	117		▲
227257	Suction elbow 180° ■	1	117		▲
	Capscrew CHC M8X16	4	120		
	Clamp	2	121		
	Discharge flange	1	140		
227610	Discharge gasket ■	2	141		▲
	Capscrew CHC M10X25	2	142		
	Spring washer M10	2	144		
	SET OF COMPRESSOR SCREWS	1	145		
	Female screw	1	4		
	Male screw	1	5		
	SYNCHRONIZATION GEARS	1	189		
	Synchronization gear 54 teeth	1	8		
	Synchronization gear 45 teeth	1	9		
226674	Discharge hose, supplied with the MH6 ■	1	202	X	▲
	Bronze seal	2	1060		
	Spacer	1	1061		
	Capscrew CHC M6X10	8	1066		
	O'ring	2	1068		
	Circlips	2	1069		
	Gear washer	1	1070		
	Pin	2	1115		
227301	Safety grid (for speed measurement, not shown) ■	1	1117		▲
	Sleeve	1	1500	X	
	Lip seal	2	1501	X	
	Sleeve	1	1505	X	

COMPRESSOR MH6 N

Article code	Description	Quantity	Reference	Wear parts	Notes
315585.00	EXTERNAL COVER ASSEMBLY	1			◆
	External cover	1	1508		
	Washer	4	1509		
	Screwcap HM 8X16	4	1510		
	DRIVING GEAR RATIO C SET	1	1156		
	Gear 26 teeth	1	6		
	Key	1	55		
	Bearing nut	1	60		
	DRIVING GEAR RATIO E SET	1	1156		
	Gear 28 teeth	1	6		
	Key	1	55		
	Bearing nut	1	60		

ACCESSORIES



Article code	Description	Quantity	Reference	Wear parts	Notes
227389	Discharge elbow 45° ■	1	1118		▲
227080	Discharge elbow 90° ■	1	1100		▲

315554.00	SILENCER ASSEMBLY	1	119		◆
	Silencer	1	119A		
220562	Gasket flange ■	2	1816		▲
	Silencer bracket	2	216		
	Capscrew HM 10X140 (1)	4	1823		

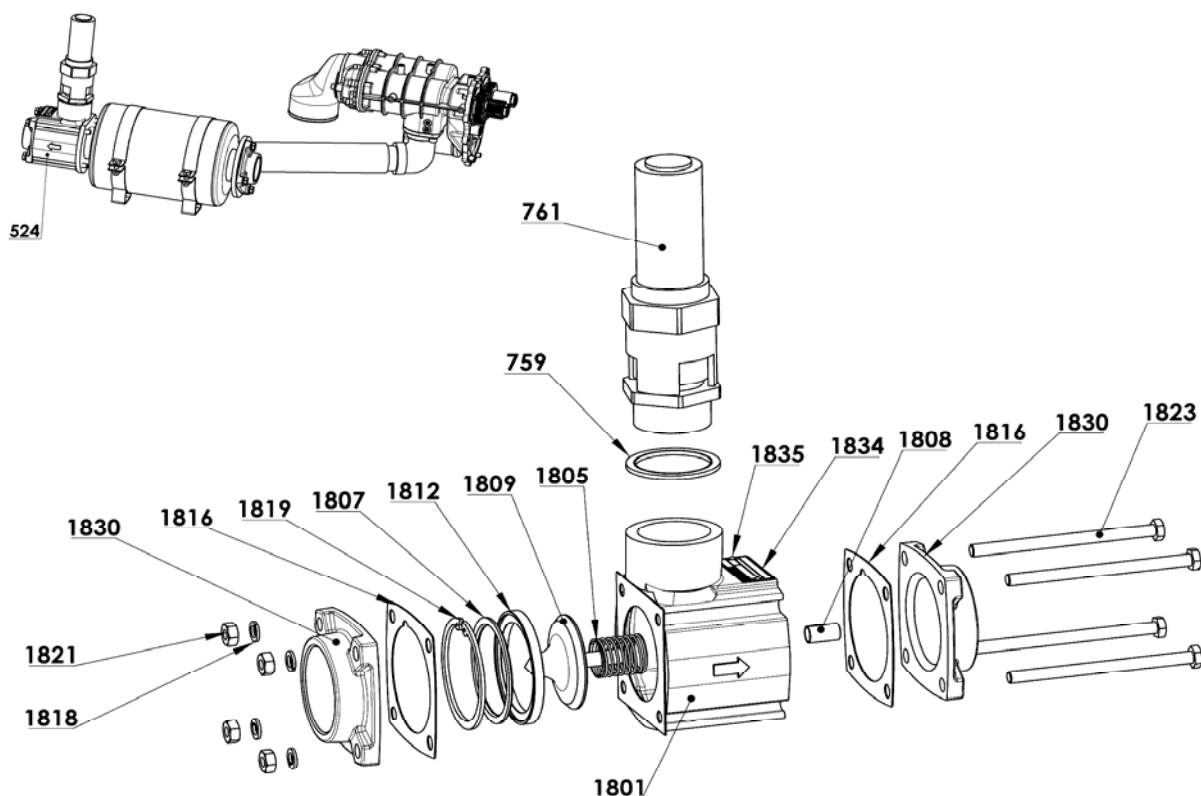
314413.00	KIT OF SEALS AND SCREWS FOR CHECK RELIEF VALVE ■ (759 + 1816 + 1818 + 1821 + 1823)	1	1879		◆
------------------	--	----------	-------------	--	---

314412.00	VALVE KIT FOR CHECK RELIEF VALVE ■ (1805 + 1807 + 1808 + 1812 + 1819)	1	1880		◆
------------------	---	----------	-------------	--	---

315567.00	SET OF FLANGES FOR SILENCER ■ (1816 + 1830 (2 x G2") + 1879 + 1880)	1	1881		◆
------------------	---	----------	-------------	--	---

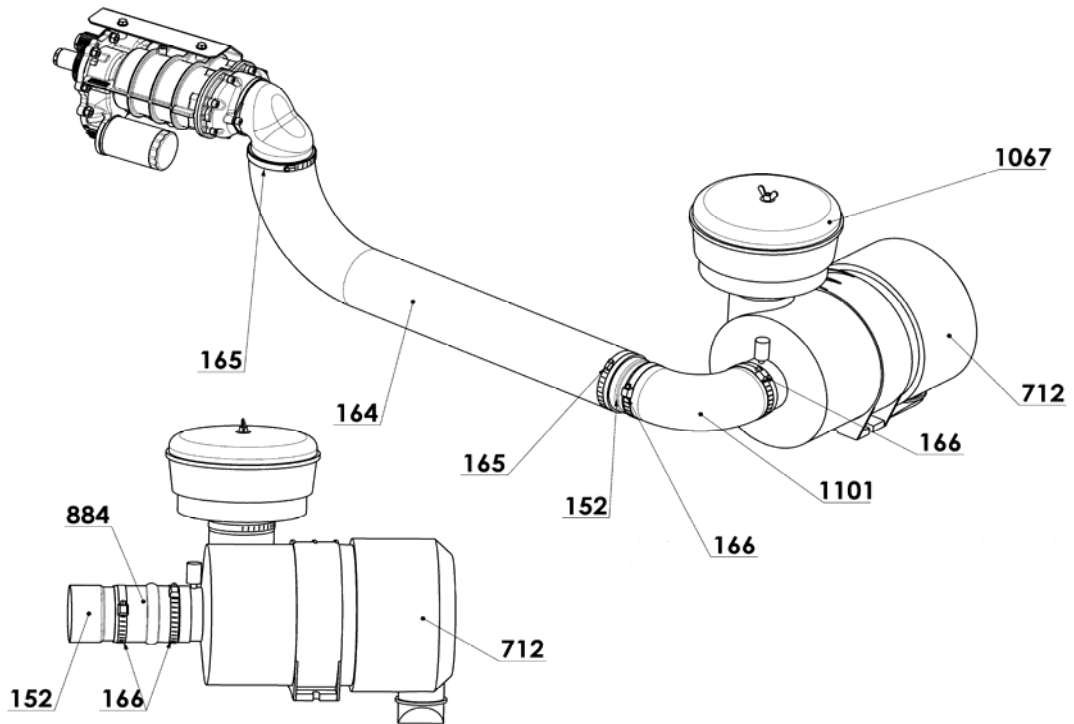
(1) To be used only if the check relief valve is flanged on the silencer.

ACCESSORIES



Article code	Description	Quantity	Reference	Wear parts	Notes
518232.04	CHECK RELIEF VALVE 2 BAR ■	1	524		◆
518231.04	CHECK RELIEF VALVE 2,3 BAR ■	1	524		◆
518230.04	CHECK RELIEF VALVE 2,5 BAR ■	1	524		◆
	Relief valve (2 bar, 2.3 bar or 2.5 bar)	1	761		See 778 & 1879
	Seal	1	759		See 778 & 1879
	Bush	1	1808		See 1880
	Check valve	1	1809		
	Seal	1	1812		See 1880
	Circlips	1	1819		See 1880
	Check valve body	1	1801		
	Check valve spring	1	1805		See 1880
	Capscrew HM10X150	4	1823		See 1879
	Serial number plate	1	1834		
	Rivet	2	1835		
220562	Gasket flange ■	2	1816		▲
	Spring washer M10	4	1818		See 1879
	Nut M10	4	1821		See 1879
	Seal	1	759		
	Check valve seat	1	1807		See 1880
	Flange G2" BSP	1	1830		See 1881
	Flange G2" 1/2 BSP	1	1830		
313477.00	COMPLETE RELIEF VALVE 2 bar	1	778		◆
313494.00	COMPLETE RELIEF VALVE 2,3 bar	1	778		◆
313473.00	COMPLETE RELIEF VALVE 2,5 bar	1	778		◆
	Relief valve	1	761		See 778
	Seal	1	759		See 778

ACCESSORIES



Article code	Description	Quantity	Reference	Wear parts	Notes
313690.01	COMPLETE INLET FILTER WITH 180° OUTLET ■	1			◆
315553.00	COMPLETE INLET FILTER WITH 90° OUTLET ■	1			◆
	180° outlet connection	1	884		
	90° outlet connection	1	1101		
223650	Filter element (not shown) ■	1	161	X	▲
	Reducer	1	152		
	Connection clip	2	166		
	Filter body	1	712		
	Pre Cleaner	1	1067		
315636.00	CONNECTION KIT HOSE FOR FILTER ■	1		X	◆
	Hose (lg : 2000 mm)	1	164		
	Hose clip	2	165		
315571.00	COMPLEMENTARY CONNECTION KIT ■ (to fit the filter behind the cab)	1			◆
	Reducer	1	152		
	Connection clip	2	166		
	90° outlet connection	1	1101		

(■) Recommended parts to have on stock

(◆) Sets of parts sold only in a kit or (▲) parts available to order.

Keep this parts lists with Installation, Operation and Maintenance Instructions.

To order the required spare parts, indicate the appropriate CUM numbers.



Z.I. la Plaine des Isles - 2 rue des Caillottes F-89000 AUXERRE - France

Tél : +33 (0)3 86 49 86 30 • Fax : +33 (0)3 86 49 87 17

contact@mouvex.com • www.mouvex.com