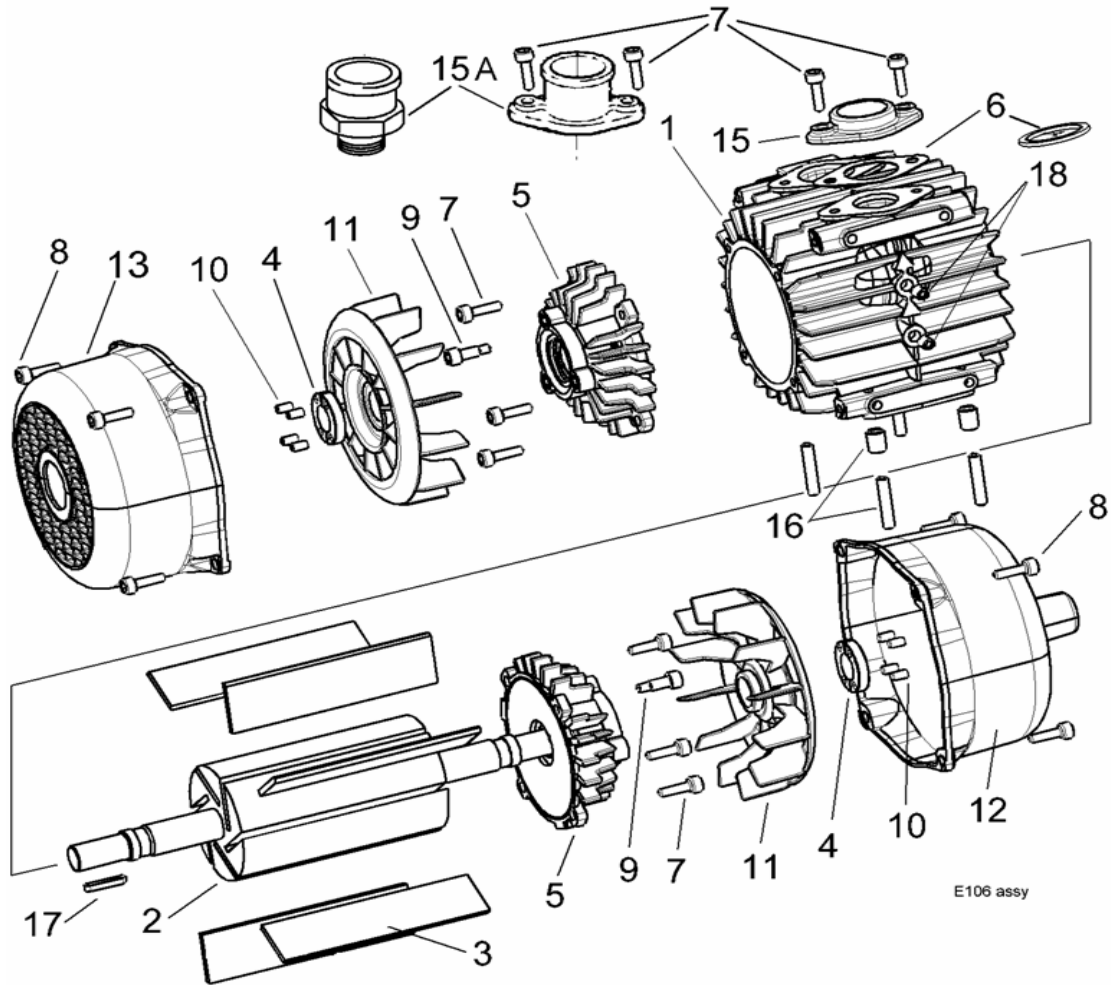


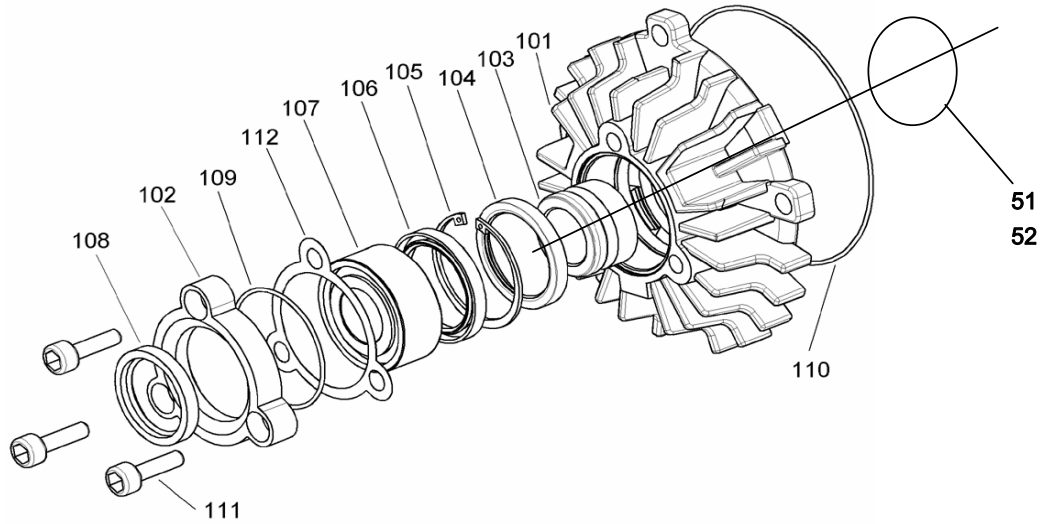
Section	208
Effective	September 2011
Replaces	March 2011

(See Instructions 208-A00 for Installation, Operation and Maintenance)



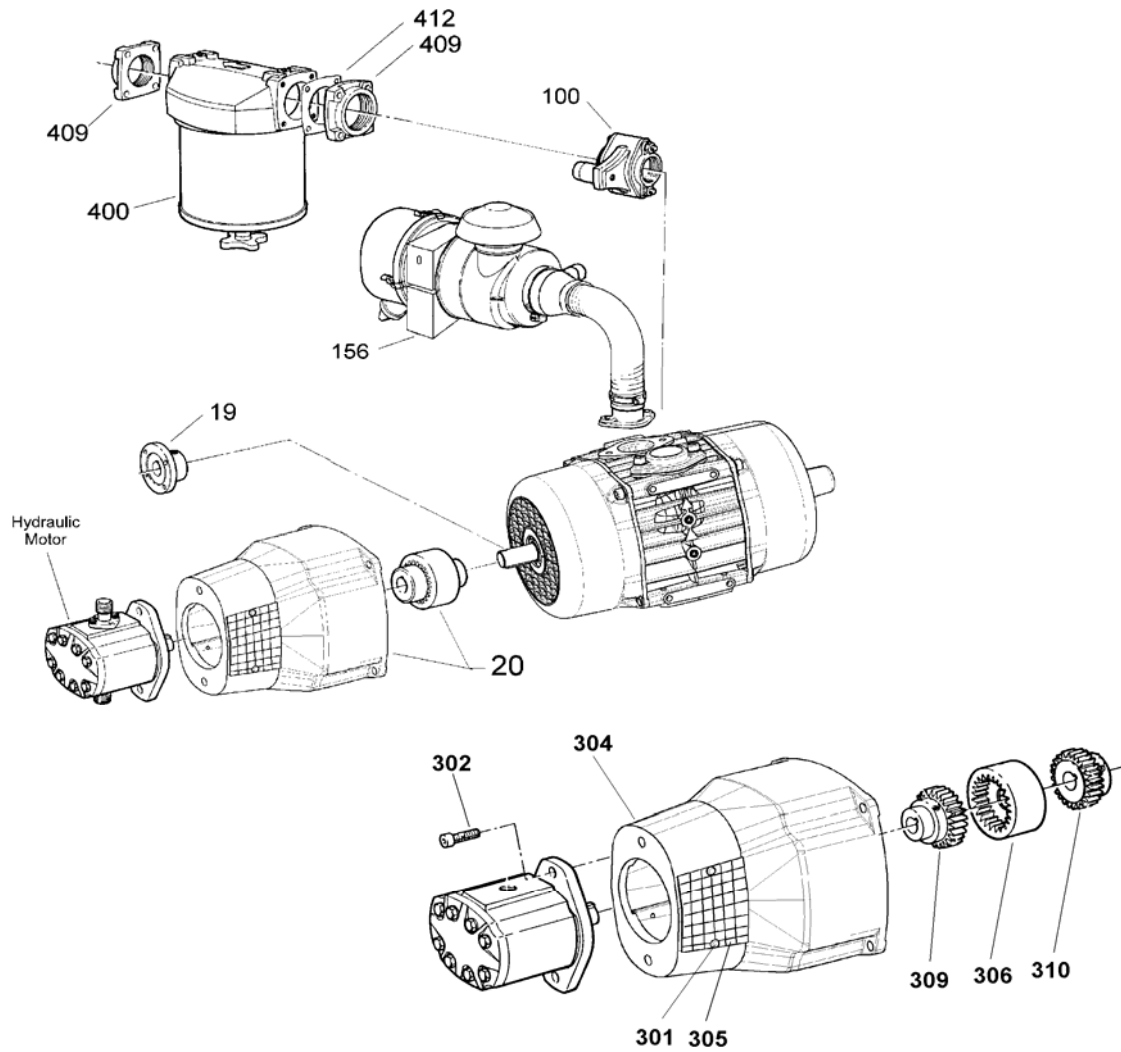
E106 assy

COMPRESSORS



Article code	Description	Quantity	Reference	Wear parts	Notes
220468	Body plated E56	1	1		▲
220472	Body plated E106	1	1		▲
220467	Body plated E156	1	1		▲
220479	Rotor E56	1	2		▲
220480	Rotor E106	1	2		▲
220482	Rotor E156	1	2		▲
220487	Blade E56 ■	6	3	X	◆ See 73
220489	Blade E106 ■	6	3	X	◆ See 73
220488	Blade E156 ■	6	3	X	◆ See 73
313083.01	SIDE PLATE ASSEMBLY	2	5		◆
	Shim (if required)	2	51		See 73
	Shim (if required)	2	52		See 73
	Side plate	1	101		See 5
	Bearing cap	1	102		See 5
	Distance sleeve	1	103		See 5
	Lip seal	1	104		See 5 & 73
	Circlips	1	105		See 5 & 73
	Grease seal - Sideplate	1	106		See 5 & 73
225331	Bearing	1	107		▲
	Grease seal - Bearing cap	1	108		See 5 & 73
	O'ring - Bearing Cap	1	109		See 5 & 73
	O'ring - Sideplate	1	110		See 5 & 73
	Capscrew (M10 x 25)	3	111		See 5
	Set of shims	1	112		See 5 & 73
207557	Gasket flange (E106 - E156)	2	6		▲
219623	1" BSP dowty seal (E56)	2	6		▲
	Capscrew (M10 x 25)	6	7		
	Capscrew	4	8		
	Shoulder screw	2	9		
315407.00	FAN ASSEMBLY ■	2	11A		◆
	Split sleeve	2	4		See 11A
	Set screws	4	10		See 11A
	Fan	1	11		See 11A
220617	Cowl (No drive end)	1	12		▲
220618	Cowl (Drive end)	1	13		▲
220695	Outlet flange 1,5" BSP (E106 / E156)	1	15		▲
220720	Outlet flange 1,5" NPT (E106 / E156)	1	15		▲
223259	Outlet adaptor 1,5" NPT (E56)	1	15		▲
220652	Inlet hose connector (E106 / E156)	1	15A		▲
220651	Inlet hose connector (E56)	1	15A		▲
	Shaft key	1	17		
	Set screw (1/4" BSP)	2	18		
220657	Foot mounting bracket E56 (not shown)	2			▲
220595	Capscrew (M10 x 30) E56 (not shown)	4			▲
313085.00	Studs kit E56 (not shown)	1			◆
313084.00	Studs kit E106 / E156	1	16		◆

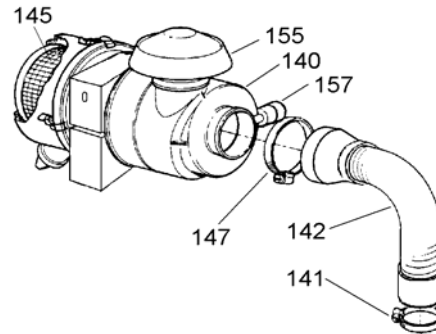
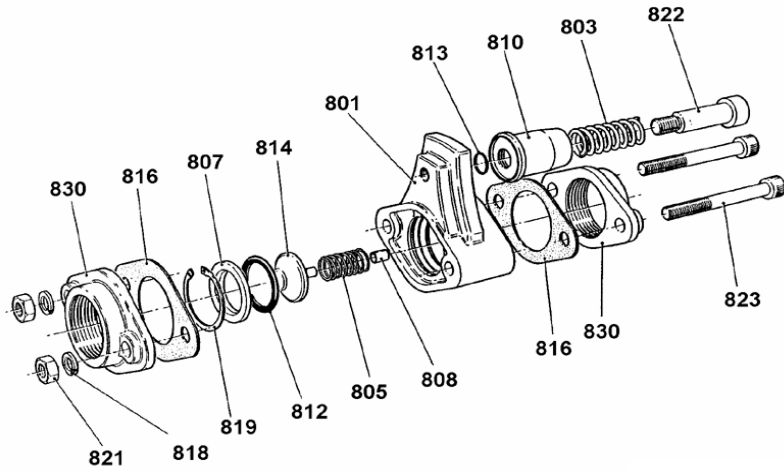
ACCESSORIES



Article code	Description	Quantity	Reference	Wear parts	Notes
313302.00	TRUNK & DRIVE KIT 36CC M	1	20		◆
313170.00	TRUNK & DRIVE KIT 2PL	1	20		◆
313107.00	Coupling assembly 36CC M	1	311		◆
313169.00	Coupling assembly 2PL	1	311		◆
220647	Coupling sleeve	1	306		▲
313108.00	Coupling hub assembly (motor side) 36CC M	1	309		▲
313168.00	Coupling hub assembly (motor side) 2PL	1	309		▲
313109.00	Coupling hub assembly (Enterprise side)	1	310		▲
	Cap screw	2	302		See 20
313106.01	Trunk assembly	1	300		◆
	Trunk	1	304		See 300
315329.00	Access plate assembly	4	305A		◆
	Access plate	1	305		See 305A
	Screw	2	301		See 305A

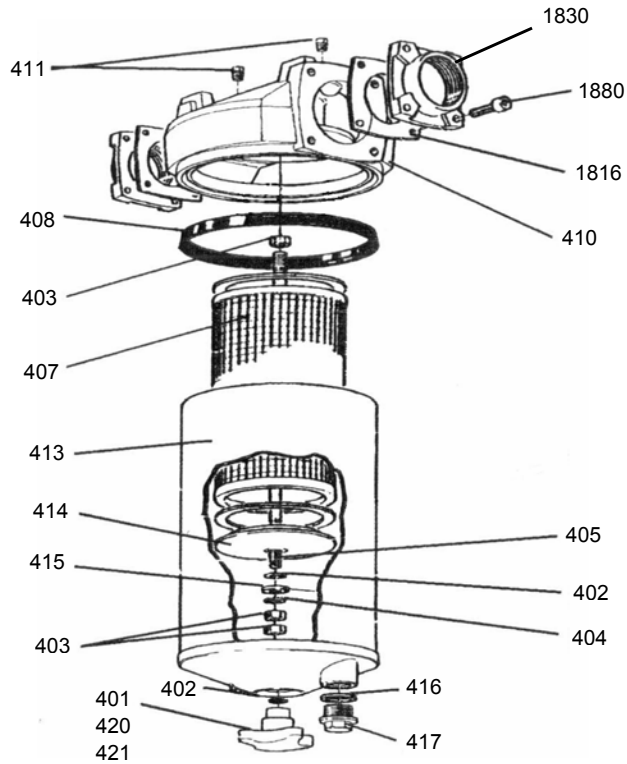
313303.00	HYDRAULIC MOTOR 36CC SAE2B (only for 313302.00)	1			◆
-----------	---	---	--	--	---

313126.00	PTO DRIVE FLANGE 1100	1	19		◆
313127.00	PTO DRIVE FLANGE 1310	1	19		◆



Article code	Description	Quantity	Reference	Wear parts	Notes
	CHECK RELIEF VALVE ASSEMBLY				
514323.00	29 PSI - 2.0 bar - BSP ■	1	100		◆
514324.00	36 PSI - 2.5 bar - BSP ■	1	100		◆
514352.00	29 PSI - 2.0 bar - NPT ■	1	100		◆
	Spring (36 PSI - 2.5 bar - black)	1	803		See CRV assembly
	Spring (29 PSI - 2.0 bar - white)	1	803		See CRV assembly
	Relief valve	1	810		See CRV assembly
	O-Ring	1	813		See CRV assembly
313100.00	Check valve assembly	1	809		◆
	Body - relief valve	1	801		See 809
	Spring	1	805		See 809
	Retaining ring	1	807		See 809
	Bushing	1	808		See 809
	O-Ring	1	812		See 809
	Check valve	1	814		See 809
207557	Gasket - Flange	2	816		▲
	Spring washer	2	818		See 809
	Circlips	1	819		See 809
	Nut (M10)	2	821		See 809
	Cap screw (M10 x 90)	2	823		See 809
	Flange 1" 1/2 BSP	2	830		See 809
	Flange 1" 1/2 NPT	2	830		See 809
	Shoulder screw	1	822		See CRV assembly

313097.00	SUCTION LINE FILTER (E56 / E106)	1	156		◆
313099.00	SUCTION LINE FILTER (E156)	1	156		◆
310634.01	Filter Unit (E56 / E106)	1	140		◆
312659.02	Filter Unit (E156)	1	140		◆
220669	Filter element (E56 / E106) ■	1	145	X	▲
220666	Filter element (E156) ■	1	145	X	▲
215638	Safety element (E56 / E106) (not shown)	1	146	X	▲
220006	Safety element (E156) (not shown)	1	146	X	▲
	Rain cap	1	155		See 140
	Hose clip	1	141		See 156
220638	Flexible hose (E56 / E106) ■	1	142	X	▲
220637	Flexible hose (E156) ■	1	142	X	▲
	Hose clip	1	147		See 156
215658	Restriction indicator ■	1	157		▲



Article code	Description	Quantity	Reference	Wear parts	Notes
514337.00	PRESSURE LINE FILTER PLF N°1 (E56)	1	400		◆
514338.00	PRESSURE LINE FILTER PLF N°2 (E106 / E156)	1	400		◆
	Seal	1	416		See 400
220663	Filter element 5 microns (E56) ■	1	407	X	▲
220664	Filter element 5 microns (E106 / E156) ■	1	407	X	▲
	Plug	1	417		See 400
313113.00	Pressure line filter assembly (E56)	1	400		▲
313114.00	Pressure line filter assembly (E106 / E156)	1	400		▲
224614	Handle	1	401		▲
	Gasket	2	402		See 400
	Nut (M12)	3	403		See 400
	Spring washer	1	404		See 400
	Stud	1	405		See 400
220529	Seal	1	408		▲
	Body	1	410		See 400
	Plug	2	411		See 400
220717	Sleeve (E56)	1	413		▲
220718	Sleeve (E106 / E156)	1	413		▲
220622	Cover	1	414		▲
	Washer	1	415		See 400
211196	Safety pin	1	420		▲
209643	Ring	4	421		▲

315567.00	SET OF 2 COUNTER FLANGES G2" BSP in stainless steel with gaskets and screws for Pressure Line Filter	1	1881		◆
	Gasket	2	1816		See 1881
	Counter flange G2"	2	1830		See 1881
	Washer	8	1879		See 1881
	Capscrew (M10 X 30)	8	1880		See 1881

REPAIR KITS

Article code	Description	Quantity	Reference	Wear parts	Notes
313096.01	KIT E56 ■ (3+6+51+52+104+105+106+107+108+109+110+112)	1	73		◆
313095.01	KIT E106 ■ (3+6+51+52+104+105+106+107+108+109+110+112)	1	73		◆
313094.01	KIT E156 ■ (3+6+51+52+104+105+106+107+108+109+110+112)	1	73		◆

- (■) Recommended parts to have on stock
- (◆) Sets of parts sold only in a kit or (▲) parts available to order.

Keep this parts lists with Installation, Operation and Maintenance Instructions.
To order the required spare parts, indicate the appropriate CUM numbers.



Z.I. la Plaine des Isles - 2 rue des Caillottes F-89000 AUXERRE - France
Tél : +33 (0)3 86 49 86 30 • Fax : +33 (0)3 86 49 87 17
contact@mouvex.com • www.mouvex.com