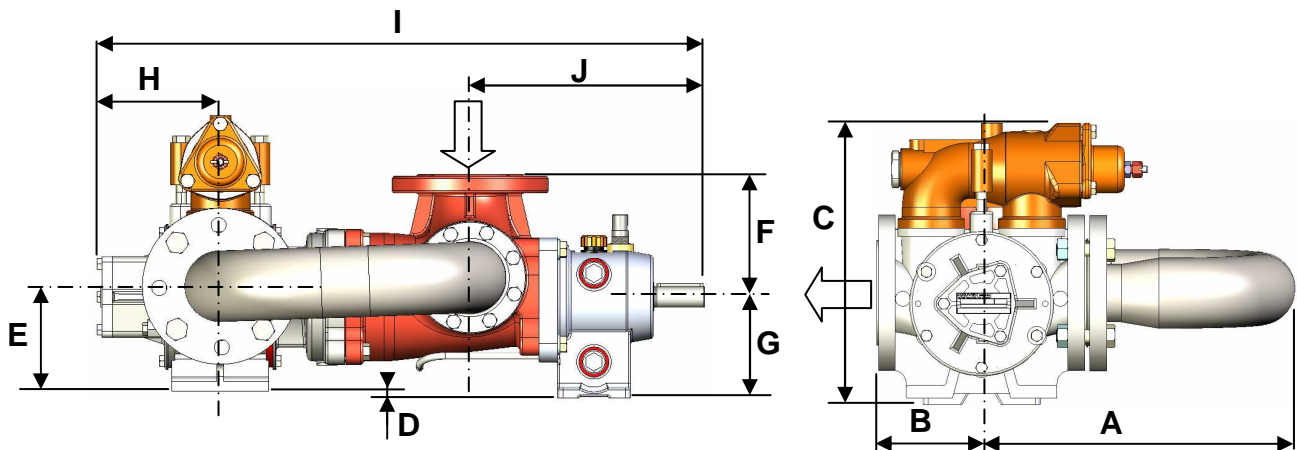


CHARACTERISTICS

		STANDARD	AVAILABLE OPTIONS
Technology		Vane pump Seal less drive	
Maximum Flow rate at 1 cSt m³/h (GPM)		25 (110)	
Cubic capacity L (cu.in)		0.46 (28.07)	
Internal relief valve		Single	no relief valve
Rotation		Anti-clockwise	Clockwise
Ports		ISO PN16 Flanges	
Heating		-	
Dimensions mm (in.)	A	374 (14.720)	
	B	125 (4.921)	
	C	335 (13.190)	Without relief valve 282 (11.102)
	D	8 (0.315)	
	E	125 (4.921)	
	F	145 (5.709)	
	G	120 (4.724)	
	H	147 (5.778)	
	I	722 (28.402)	
	J	278 (10.945)	
Weight kg (lbs)		84 (185.19)	



OPERATING LIMITS

	STANDARD MATERIALS	AVAILABLE OPTIONS
Minimum temperature °C (°F)	-10 (14)	
Maximum temperature °C (°F)	100 (212)	
Maximum viscosity cSt (SSU)	60 000 (278 000)	
Maximum differential pressure bar (psi)	12 (174)	
Maximum inlet pressure barg (psig)	1.5 (22)	
Maximum speed (rpm)	1000	

MATERIALS OF CONSTRUCTION

Part No	PART NAME	STANDARD MATERIALS	AVAILABLE OPTIONS
44101	Casing	Stainless steel 316L	
44301	Rotor	Stainless steel 316L	
44317	Vanes	PEEK	
44318	Push Rods	-	Stainless steel 316L
44401	End cover	Stainless steel 316L	
44501	Rotor Shaft	Stainless steel 329	
44422	Side discs	Carbon metal	
44105	Shaft driver	Stainless steel 316L	
11101	Inlet tube	Stainless steel 316L	
11120	Drive wet end	Stainless steel 316L	
11123	Connection tube	Stainless steel 316L	
44800	Relief valve	Stainless steel 316L	
	Bushings	Carbon metal	
	O rings	FEP coated FKM	
	SLMD135 transmission assembly		
	Bearings	Balls / Rollers	
	Bellows Assembly	316Ti & 316 L Stainless Fabrication	
	Housing	Cast iron	
	Screws	Steel	
	Bushings	Carbon Antimony	
	O rings	FEP coated FKM	
	Transmission Lubricant	Synthetic oil	

